



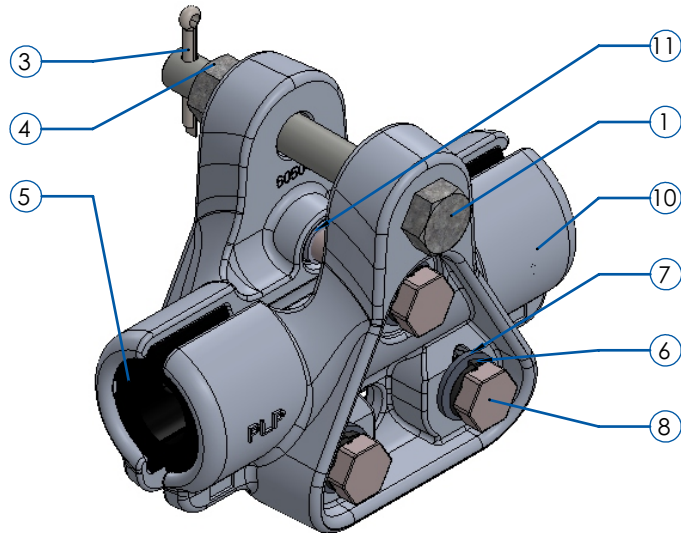
## CUSHION-GRIP® SUSPENSION

The CUSHION-GRIP® Suspensions are intended for use on all aluminum-based conductors, and are designed to reduce the static and dynamic stresses at the support point so that the conductor is protected against the effects of oscillations. The conductor is cushioned by field proven, integral neoprene inserts, which guard against abrasion, wear, and fatigue.

### FEATURES AND BENEFITS

- No loose parts- all fasteners are captive and factory installed, eliminating lost hardware in the field
- Simple labour-saving installation without the need for armor rods
- Integral cushions minimizes conductor bending stresses at critical entry locations
- Compatible with standard attachment hardware
- Easy hot stick application
- Labour Savings: To install the CUSHION-GRIP® Suspension simply spread the body halves, placing over the conductor and tighten bolts.

## COMPONENTS



ITEM	DESCRIPTION	QUANTITY
1	M16 X 125MM HDG BOLT WITH S/PIN HOLE	1
2	M16 HDG FLAT WASHER	1
3	S/S STRAIGHT SPLIT PIN	1
4	M16 NUT HDG	1
5	NEOPRENE INSERT 00055749	4
6	M10 HDG SPRING WASHER	3
7	M10 HDG LARGE FLAT WASHER	3
8	M10X 70 BOLT HDG	3
9	M10 NUT HDG	3
10	CAST ALUMINIUM HALF FOR CGS	2
11	1.5X8 RUBBER O-RING	1