

INSULIGN™ Polymer Spool Insulator

NOMENCLATURE



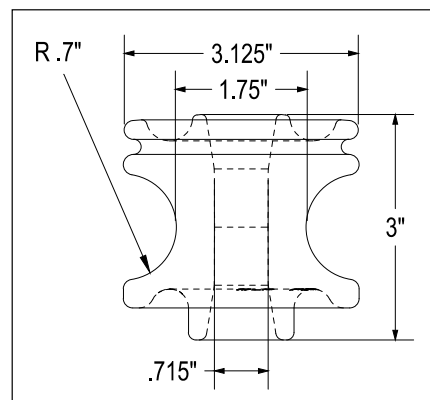
GENERAL RECOMMENDATIONS

INSULIGN Polymer Spool Insulators are used to insulate and support primary neutral and secondary (bare or covered) conductors at the pole or house using various clevis mounting configurations. They are compatible with all manufacturers' hardware designs that are to be used with the ANSI C29.3 Class 53-2 spool insulators. They are designed to be used with PLP Spool Ties and EZ-WRAP™ Spool Ties and are Class 53-2 compliant. The IP-53-2 is a direct replacement for porcelain spool insulators.

The IP-53-2 spool insulator is manufactured in the USA of a proprietary polyethylene material. This material is UV stabilized and is very resistant to breaking, chipping and cracking. The insulators are lightweight, at 0.34 lbs., and, like all the INSULIGN polymer insulators, are fully recyclable.

Benefits:

- Exceeds ANSI Class 53-2 electrical requirements
- Made in the USA
- Lightweight
- Resistant to cracking, chipping and vandals
- Fully UV stabilized
- Recyclable
- Long service life without deterioration
- Compatible with all manufacturers' pole hardware
- Compatible with all PLP factory formed ties for spool applications



Catalog Number	Description	Carton	
		Qty	Wt
IP-53-2	Polymer Spool Insulator 1-3/4\" Neck Diameter – A-NECK	48	20 LBS



INSULIGN™ Polymer Insulators Technical Data

Catalog Number	Design/Application	ANSI Class	Test Results Based on ANSI C29 Standard																
			Low Frequency				Impulse Critical				Low Frequency				RIV				
			Dry Flashover Test Value	ANSI C29 Test Value	Wet Flashover Test Value	ANSI C29 Test Value	Positive Test Value	ANSI C29 Test Value	Negative Test Value	ANSI C29 Test Value	Puncture Test Value	ANSI C29 Test Value	Test Value	ANSI C29 Test Value					
Spool			IP-53-2	Polymer Spool Insulator 1-3/4" Neck-A Neck	53-2	27	25	12.8/16	12/15	N/A	N/A	N/A	N/A	N/A	N/A	N/A	N/A	mil	
IP-15-C	ANSI 15kV, C Neck, 1" Pin	55-3	77	55	45	30	+124	+90	-160	-110	208	90	Pass (<4uV)					<50uV@10kV	
IP-15-F	ANSI 15kV, F Neck, 1" Pin	55-4	93	65	50	35	+114	+105	-144	-130	160	95	Pass (<5uV)					<50uV@10kV	
IP-15-VTN	ANSI 15kV, VT Nylon Inserts, 1" Pin		101	55	50	30	+147	+90	-201	-110	174	90	Pass (<4uV)					<50uV@10kV	
IP-15-VTM	ANSI 15kV, VT Aluminum Inserts, 1" Pin		95	55	64	30	+154	+90	-200	-110	163	90	Pass (<4uV)					<50uV@10kV	
IP-15-VTM-B	ANSI 15kV, VT Bronze Inserts, 1" Pin	55-3	95(2)	55	64(2)	30	+154(2)	+90	-200(2)	-110	163(2)	90	Pass (2)					<50uV@10kV	
IP-15-VTU	ANSI 15kV, VT Universal Inserts, 1" Pin		101	55	50	30	+147	+90	-201	-110	174	90	Pass (<4uV)					<50uV@10kV	
IP-25-F1	ANSI 25kV, F Neck, 1" Pin	55-5	89(1)	80	55(1)	45	142(1)	+130	-223(1)	-150	218	115	Pass (1)					<50uV@15kV	
IP-25-F2	ANSI 25kV, F Neck, 1-3/8" Pin		89	80	55	45	142	+130	-223	-150	201	115	Pass (<2uV)					<50uV@15kV	
IP-25-J1	ANSI 25kV, J Neck, 1" Pin		90	107.4	54	71.8	138	152.5	175	222.7	130	180.2	Pass					<100uV@15kV	
IP-25-J2	ANSI 25kV, J Neck, 1-3/8" Pin	55-1	90	107.4	54	71.8	138	152.5	175	222.7	130	184.5	Pass					<100uV@15kV	
IP-25-VTN1	ANSI 25kV, VT Nylon Inserts, 1" Pin		88(1)	80	55(1)	45	150(1)	+130	-219(1)	-150	228	115	Pass (1) (<0.5uV)					<50uV@15kV	
IP-25-VTN2	ANSI 25kV, VT Nylon Inserts, 1-3/8" Pin		88	80	55	45	150	+130	-219	-150	191	115	Pass (<0.5uV)					<50uV@15kV	
IP-25-VTM1	ANSI 25kV, VT Aluminum Inserts, 1" Pin		94(1)	80	55(1)	45	152(1)	+130	-216(1)	-150	218	115	Pass (1) (<0.5uV)					<50uV@15kV	
IP-25-VTM2	ANSI 25kV, VT Aluminum Inserts, 1-3/8" Pin	55-5	94	80	55	45	152	+130	-216	-150	184	115	Pass (<0.5uV)					<50uV@15kV	
IP-25-VTM1-B	ANSI 25kV, VT Bronze Insert, 1" Pin		94(2)	80	55(2)	45	152(2)	+130	-216(2)	-150	218(2)	115	Pass (1), (2)					<50uV@15kV	
IP-25-VTM2-B	ANSI 25kV, VT Bronze Insert, 1-3/8" Pin		94(2)	80	55(2)	45	152(2)	+130	-216(2)	-150	184(2)	115	Pass (2)					<50uV@15kV	
IP-25-VTU1	ANSI 25kV, VT Universal Inserts, 1" Pin		88(1)	80	55(1)	45	150(1)	+130	-219(1)	-150	228	115	Pass (1) (<0.5uV)					<50uV@15kV	
IP-25-VTU2	ANSI 25kV, VT Universal Inserts, 1-3/8" Pin		88	80	55	45	150	+130	-219	-150	191	115	Pass (<0.5uV)					<50uV@15kV	
35kV Applications			IP-35-F1	ANSI 35kV, F Neck, 1" Pin	55-6	126(1)	100	82(1)	50	+175(1)	+150	-238(1)	-170	223	135	Pass (1)			<100uV@22kV
			IP-35-F2	ANSI 35kV, F Neck, 1-3/8" Pin	55-7	126	100	82	50	+175	+150	-238	-170	235	135	Pass (<39uV)			<100uV@22kV
			IP-35-J1	ANSI 35kV, J Neck, 1" Pin	55-6	113	100	75.5	50	157.5	150	254	170	194.9	115	Pass (<29uV)			<100uV@15kV
			IP-35-J2	ANSI 35kV, J Neck, 1-3/8" Pin	55-7	113	133	60	75.5	157.5	150	222.1	190	180.2	130	Pass (<29uV)			<100uV@15kV
			IP-35-VTN1	ANSI 35kV, VT Nylon Inserts, 1" Pin	55-6	128(1)	100	72(1)	50	+188(12)	+150	-272(1)	-170	206	135	Pass (1)			<100uV@22kV
			IP-35-VTN2	ANSI 35kV, VT Nylon Inserts, 1-3/8" Pin	55-7	128	100	72	50	+188	+150	-272	-170	219	135	Pass (<6uV)			<100uV@22kV
			IP-35-VTM1	ANSI 35kV, VT Aluminum Inserts, 1" Pin	55-6	115(1)	100	80(1)	50	+196(1)	+150	-261(1)	-170	207	135	Pass (1)			<100uV@22kV
			IP-35-VTM2	ANSI 35kV, VT Aluminum Inserts, 1-3/8" Pin	55-7	115	100	80	50	+196	+150	-261	-170	209	135	Pass (<8uV)			<100uV@22kV
			IP-35-VTM1-B	ANSI 35kV, VT Bronze Insert, 1" Pin	55-6	115(2)	100	80(2)	50	+196(2)	+150	-261(2)	-170	207(2)	135	Pass (2)			<100uV@22kV
			IP-35-VTM2-B	ANSI 35kV, VT Bronze Insert, 1-3/8" Pin	55-7	115(2)	100	80(2)	50	+196(2)	+150	-261(2)	-170	209(2)	135	Pass (2)			<100uV@22kV
			IP-35-VTU1	ANSI 35kV, VT Universal Inserts, 1" Pin	55-6	128(1)	100	72(1)	50	+188(12)	+150	-272(1)	-170	206	135	Pass (1)			<100uV@22kV
			IP-35-VTU2	ANSI 35kV, VT Universal Inserts, 1-3/8" Pin	55-7	128	100	72	50	+188	+150	-272	-170	219	135	Pass (<6uV)			<100uV@22kV