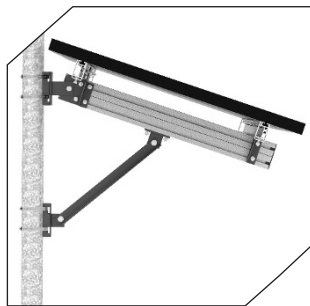


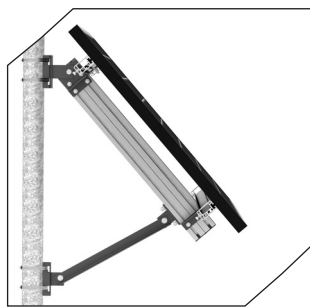
Universal Side-of-Pole Mount

Single Pole PV Mounting System

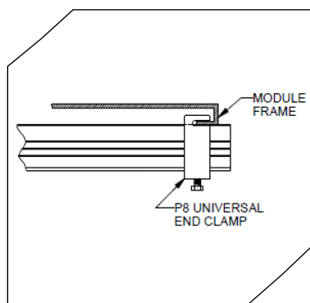




30° tilt



60° tilt



Bottom Flange Mounting

Universal Side-of-Pole (USPM)

The USPM is designed to install quickly and provide secure PV module mounting on a single pole. The unique slotted rail design and universal clamps adapt to most 60-cell and 72-cell PV modules. The universal designs also adapt to a wide range of pole diameters to reduce the number of SKUs and inventory for the distributor.

The center arm construction is aesthetically pleasing and provides seasonal adjustability for maximizing energy production. The USPM is manufactured of high strength aluminum rails, powder-coated steel brackets, and corrosion resistant stainless steel hardware for long-term service and reliability.

Strength and Durability

- Standard Design
 - 105 MPH EXP C (ASCE 7-10) wind zones
 - 30 PSF snow loads
- High Wind Version (HWV) Upgrade Kit
 - 142 MPH EXP C (ASCE 7-10) wind zones
 - 60 PSF snow loads
- 6000 series structural aluminum rails
- Welded and powder-coated steel brackets
- Stainless steel hardware

Ease of Assembly

- Universal design
- Adjusts to 31" - 42" W x 60" - 82" L modules
- Slotted rails and strongback
- Single arm elevation adjustments
- Easy access universal clamps
- Bottom flange mounting

Application Flexibility

- Single SKU for most 60-cell and 72-cell modules
- Pole size ranges (Installer supplied pole and bands)
 - 2" to 6"
 - 6" to 12"
- 30° to 60° tilt angle adjustment (full range)
- Installations up to 30 feet above grade

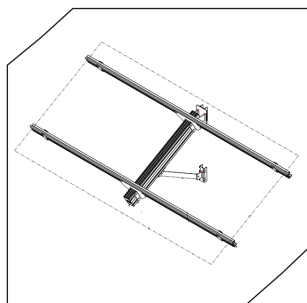
Part Number	Description
USPM1-D-H-6	Universal Side-of-Pole Mount, D-H series modules, 2" - 6" pole diameters
USPM1-D-H-12	Universal Side-of-Pole Mount, D-H series modules, 6" - 12" pole diameters
USPM1-HWV-Kit	Universal Side-of-Pole Mount High Wind Version Kit



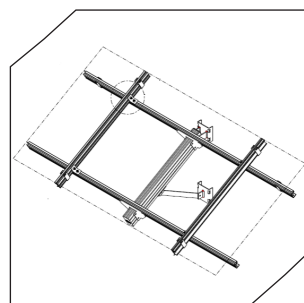
PREFORMED
LINE PRODUCTS

Global Headquarters
660 Beta Drive
Cleveland, Ohio 44143 USA
Telephone: 800.260.3792
Fax: 440.442.8816
Website: preformed.com
Email: info@plpsolar.com

© 2020 Preformed Line Products
Printed in U.S.A.
SL-SS-1275
0720.IH



Standard Design



Standard Design with HWV Kit