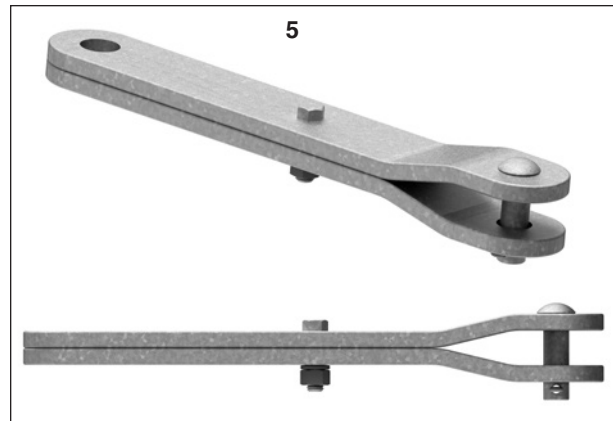
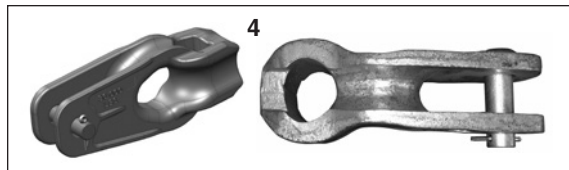
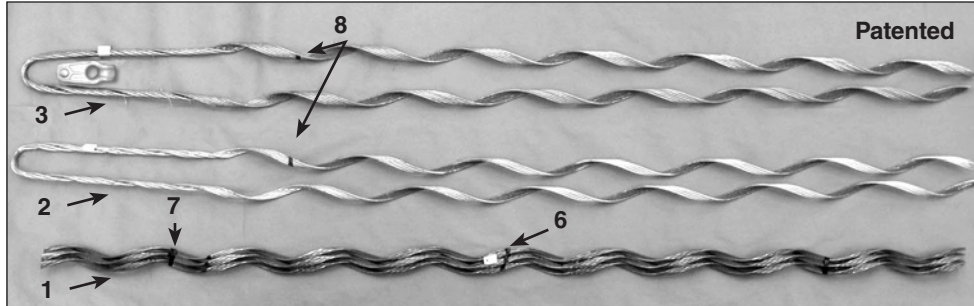




THERMOLIGN® Dead-End

NOMENCLATURE



- 1. Structural reinforcing rods in multiple subsets (Aluminum Alloy)
- 2. Aluminum Alloy Dead-End
- 3. Aluminum-Clad Steel Dead-End
- 4. Dual Thimble Clevis (Galvanized Steel)
- 5. 14" Extension Link (Galvanized Steel)
- 6. Center Mark
- 7. Crossover Mark
- 8. Color Code and Crossover Marks

GENERAL RECOMMENDATIONS

The THERMOLIGN Dead-End is specifically designed for applications on ACSS/AW, ACSS/TW, and ACCR conductors. The design allows for continuous conductor operating temperatures up to 250°C.

THERMOLIGN Dead-Ends are intended for use on ACSS/AW and ACCR conductors only. For ACSS/TW, THERMOLIGN Splices are approved for use on General Cable and Southwire® conductors only. For 3M ACCR/TW and Southwire C7/TW conductors, please contact PLP for details.

FEATURES AND BENEFITS

- No compression press and dies required – installation time is minimal.
- No electrical connections – conductor passes through Dead-End un-cut eliminating compression and bolted electrical connections.

GENERAL SPECIFICATIONS

Holding strength: 95% or more of the conductor rated breaking strength (RBS).

Includes: Structural Reinforcing Rods, Dead-Ends, Thimble Clevis and Extension Link.

**Thermal Rating (Continuous)
250°C**

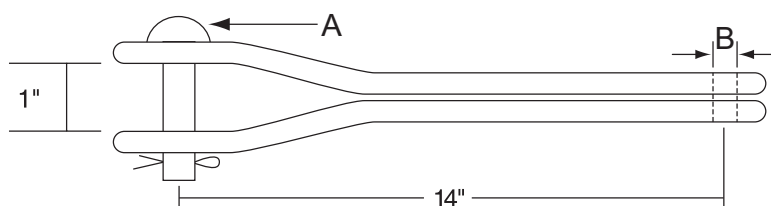
THERMOLIGN® Dead-End

For use on:
ACSS/AW, ACSS/TW* and ACCR** (Round Wire)



THERMOLIGN® Dead-End						
Catalog Number	Diameter Range in (mm)		Length in (mm)		Color Code	Extension Link
	Min	Max	A	B		
TLDE-0087	0.455 (11.6)	0.470 (11.9)	71 (1803)	90 (2286)	Orange	000601325
TLDE-0088	0.471 (12.0)	0.486 (12.3)	73 (1854)	92 (2337)	Blue	
TLDE-0089	0.487 (12.4)	0.503 (12.8)	74 (1880)	94 (2388)	Brown	
TLDE-0090	0.504 (12.8)	0.519 (13.2)	76 (1930)	96 (2438)	Purple	
TLDE-0091	0.520 (13.2)	0.542 (13.8)	78 (1981)	99 (2515)	Pink	
TLDE-0092	0.543 (13.8)	0.569 (14.4)	80 (2032)	102 (2591)	Green	
TLDE-0093	0.570 (14.5)	0.591 (15.0)	83 (2108)	106 (2692)	Black	
TLDE-0094	0.592 (15.0)	0.613 (15.6)	83 (2108)	107 (2718)	Pink	
TLDE-0097	0.614 (15.6)	0.641 (16.3)	84 (2134)	110 (2794)	Yellow	
TLDE-0098	0.642 (16.3)	0.669 (17.0)	85 (2159)	111 (2819)	Red	
TLDE-0099	0.670 (17.0)	0.705 (17.9)	87 (2210)	114 (2896)	Orange	
TLDE-0100	0.706 (17.9)	0.734 (18.6)	89 (2261)	117 (2972)	Blue	
TLDE-0101	0.735 (18.7)	0.763 (19.4)	91 (2311)	120 (3048)	Brown	
TLDE-0102	0.764 (19.4)	0.798 (20.3)	93 (2362)	123 (3124)	Pink	
TLDE-0103	0.799 (20.3)	0.833 (21.2)	95 (2413)	127 (3226)	Green	
TLDE-0104	0.834 (21.2)	0.866 (22.0)	97 (2464)	130 (3302)	Red	
TLDE-0105	0.867 (22.0)	0.899 (22.8)	99 (2515)	133 (3378)	Purple	
TLDE-0106	0.900 (22.9)	0.925 (23.5)	109 (2769)	146 (3708)	Yellow	
TLDE-0107	0.926 (23.5)	0.947 (24.0)	110 (2794)	148 (3759)	Orange	
TLDE-0108	0.948 (24.1)	0.968 (24.6)	111 (2819)	150 (3810)	Black	
TLDE-0109	0.969 (24.6)	0.989 (25.1)	112 (2845)	151 (3835)	Blue	
TLDE-0110	0.990 (25.1)	1.012 (25.7)	114 (2896)	153 (3886)	Brown	
TLDE-0111	1.013 (25.7)	1.035 (26.3)	115 (2921)	155 (3937)	Pink	
TLDE-0112	1.036 (26.3)	1.065 (27.0)	117 (2972)	159 (4039)	Green	
TLDE-0113	1.066 (27.1)	1.103 (28.0)	120 (3048)	163 (4140)	Red	
TLDE-0114	1.104 (28.0)	1.138 (28.9)	122 (3099)	166 (4216)	Black	
TLDE-0115	1.139 (28.9)	1.176 (29.9)	124 (3150)	169 (4293)	Purple	
TLDE-0116	1.177 (29.9)	1.222 (31.0)	132 (3353)	180 (4572)	Yellow	
TLDE-0117	1.223 (31.1)	1.271 (32.3)	135 (3429)	184 (4674)	Orange	
TLDE-0118	1.272 (32.3)	1.319 (33.5)	138 (3505)	189 (4801)	Black	
TLDE-0119	1.320 (33.5)	1.364 (34.6)	140 (3556)	193 (4902)	Blue	
TLDE-0120	1.365 (34.7)	1.404 (35.7)	143 (3632)	197 (5004)	Red	
TLDE-0121	1.405 (35.7)	1.442 (36.6)	146 (3708)	202 (5131)	Purple	
TLDE-0122	1.443 (36.7)	1.475 (37.5)	149 (3785)	206 (5232)	Yellow	
TLDE-0123	1.476 (37.5)	1.513 (38.4)	150 (3810)	208 (5283)	Orange	
TLDE-0124	1.514 (38.5)	1.552 (39.4)	153 (3886)	212 (5385)	Green	
TLDE-0170EHV	1.553 (39.4)	1.590 (40.4)	154 (3912)	215 (5461)	Blue	
TLDE-0125	1.591 (40.4)	1.629 (41.4)	156 (3962)	218 (5537)	Black	
TLDE-0126EHV	1.630 (41.4)	1.670 (42.4)	159 (4039)	223 (5664)	Brown	
TLDE-0130EHV	1.671 (42.4)	1.714 (43.5)	161 (4089)	227 (5766)	Pink	

Extension Link Dimensions



* For ACSS/TW, THERMOLIGN Dead-Ends are approved for use on General Cable and Southwire® conductors only.

** For 3M ACCR/TW and Southwire C7/TW conductors, please contact PLP for details.

Extension Link	A Pin Diameter	B Hole Diameter
000601325	3/4" (19 mm)	13/16" (20.6 mm)
00061032	7/8" (22 mm)	1-1/16" (26.9 mm)