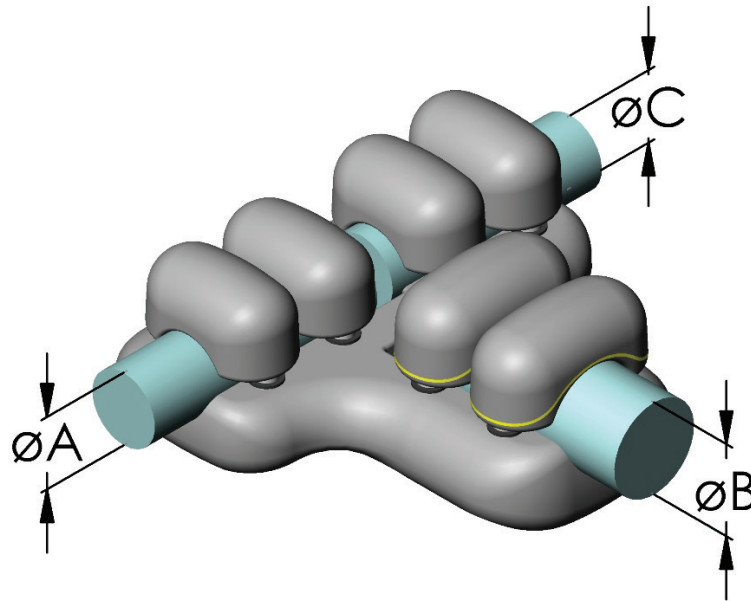


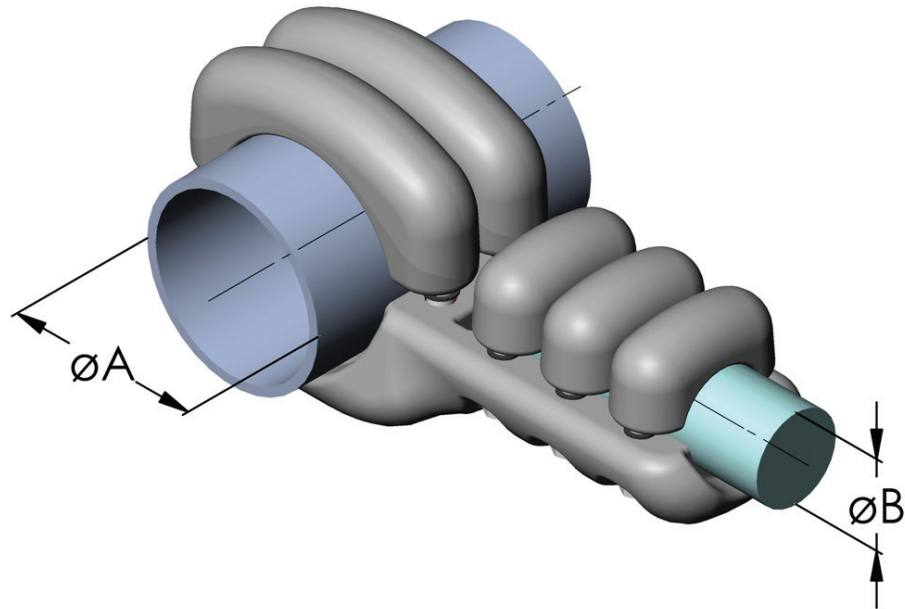
AI-T-Connector (Three-way)



Catalog Number	Voltage	$\varnothing A$ *	Covers A	$\varnothing B$ *	Covers B	$\varnothing C$ *	Covers C
T111K-032	420 kV	18,3-33,8	2	28,5-44,8	2	21,0-30,0	2
T111K-090	245 kV	70-88,9	2	40,0-50,0	2	21,0-30,0	2
T111K-232	245 kV	22,0-32,0	2	30,0-32,0	2	21,0-30,0	2
T111K-335	245 kV	28,5-30,6	2	40,0-52,0	2	28,5-30,6	2
T111K-444	245 kV	30,0-42,0	3	30,0-42,0	3	30,0-42,0	2

*Dimensions are in millimeters. Please specify exact diameter in case of order.

AI-T-Connector



Catalog Number	Voltage	ØA *	Covers A	ØB *	Covers B
T11K-013	145 kV	9,0-16,3	2	40,0-54,8	2
T11K-017	245 kV	9,0-16,3	2	16,3-24,5	2
T11K-018	245 kV	5,0-16,0	2	22,0-32,0	2
T11K-021	245 kV	16,0-22,0	2	22,0-32,0	2
T11K-022A	245 kV	16,3-24,5	2	16,3-24,5	2
T11K-022B	245 kV	16,3-24,5	2	16,3-24,5	2
T11K-022C	245 kV	16,3-24,5	2	16,3-24,5	2
T11K-023	245 kV	16,3-24,5	3	16,3-24,5	3
T11K-024	245 kV	16,0-22,0	3	20,0-32,0	2
T11K-025	245 kV	16,0-22,0	3	40,0-50,0	2
T11K-026	145 kV	30,0-42,0	2	30,0-42,0	3
T11K-027	245 kV	22,0-32,0	2	16,0-22,0	2
T11K-028	245 kV	20,0-33,0	2	30,0-42,0	2
T11K-029	420 kV	20,0-32,0	2	20,0-32,0	2
T11K-030	420 kV	22,0-32,0	3	22,0-32,0	2
T11K-031	245 kV	22,0-32,0	2	30,0-40,0	3
T11K-032A	245 kV	20,3-32,6	2	20,3-32,6	2
T11K-032B	245 kV	20,3-32,6	2	20,3-32,6	2
T11K-032C	245 kV	19,0-32,6	2	19,0-32,6	2
T11K-033	245 kV	20,0-32,0	3	20,0-32,0	3

*Dimensions are in millimeters. Please specify exact diameter in case of order.

AI-T-Connector

Catalog Number	Voltage	ØA *	Covers A	ØB *	Covers B
T11K-034	245 kV	20,0-32,0	3	20,0-32,0	2
T11K-035	420 kV	20,0-32,0	3	20,0-32,0	3
T11K-036	245 kV	22,0-32,0	3	40,0-50,0	2
T11K-037	245 kV	22,0-32,0	3	30,0-42,0	3
T11K-038	245 kV	22,0-32,0	3	30,0-40,0	2
T11K-039	245 kV	22,0-33,0	2	60-63	2
T11K-040	245 kV	30,0-42,0	3	30,0-42,0	3
T11K-040A	245 kV	30,0-42,0	3	30,0-42,0	3
T11K-040B	245 kV	30,0-42,0	3	30,0-42,0	3
T11K-040C	245 kV	30,0-42,0	3	30,0-42,0	3
T11K-041	550 kV	20,0-32,0	3	20,0-32,0	3
T11K-042	245 kV	30,0-40,0	2	16,0-22,0	2
T11K-043	245 kV	30,0-42,0	3	22,0-32,0	2
T11K-044	550 kV	30,0-42,0	3	20,0-32,0	3
T11K-046	420 kV	46.3	3	46.3	3
T11K-047	245 kV	30,0-42,0	3	30,0-42,0	2
T11K-047A	245 kV	30,0-42,0	3	30,0-42,0	2
T11K-047B	245 kV	30,0-42,0	3	30,0-42,0	2
T11K-047C	245 kV	30,0-42,0	3	30,0-42,0	2
T11K-048	245 kV	30,0-40,0	2	22,0-33,0	2
T11K-049	245 kV	30,0-42,0	3	60-63	2
T11K-050	420 kV	30,0-50,0	3	30,0-50,0	3
T11K-051	245 kV	40,0-50,0	2	20,0-32,0	3
T11K-052	245 kV	50	2	30,0-32,0	2
T11K-053	245 kV	50	2	30.0	2
T11K-054	245 kV	40,0-52,0	3	30,0-42,0	4
T11K-055	245 kV	50	2	50.0	2
T11K-056	245 kV	30,0-42,0	4	30,0-42,0	4
T11K-057	420 kV	30,0-42,0	3	30,0-42,0	3
T11K-058	245 kV	22,0-32,0	2	50,0-52,0	2
T11K-059	245 kV	60-63	1	12,0-22,0	2
T11K-060	245 kV	60-63	2	22,0-32,0	2
T11K-061	420 kV	30,0-42,0	3	30,0-42,0	3

*Dimensions are in millimeters. Please specify exact diameter in case of order.

AI-T-Connector

Catalog Number	Voltage	ØA *	Covers A	ØB *	Covers B
T11K-062	245 kV	43.2	3	22,0-32,0	3
T11K-063	245 kV	60-63	2	22,0-32,0	3
T11K-064	245 kV	60-63	2	30,0-42,0	2
T11K-065	245 kV	60-63	2	40,0-52,0	3
T11K-066	245 kV	60-63	2	60-63	2
T11K-067	245 kV	60-63	2	40,0-52,0	3
T11K-070	245 kV	30,0-42,0	4	60-63	2
T11K-071	245 kV	30,0-42,0	3	30,0-42,0	3
T11K-073	550 kV	30,0-42,0	2	20,3-33,6	2
T11K-075	245 kV	30,0-42,0	2	30,0-42,0	2
T11K-078	245 kV	30,6-32,6	3	54,0-63,0	2
T11K-079	550 kV	30,0-42,0	2	30,0-42,0	2
T11K-080	245 kV	70-80	2	70,0-80,0	2
T11K-081	245 kV	80	2	26,0-33,0	2
T11K-082	245 kV	80	2	20,0-32,0	3
T11K-083	245 kV	80	2	30,0-40,0	3
T11K-084	245 kV	70-80	2	30,0-42,0	2
T11K-085	245 kV	80	2	50.0	2
T11K-086	245 kV	80	2	60-63	2
T11K-087	420 kV	40,0-52,0	3	30,0-32,0	2
T11K-089	245 kV	80	2	50.0	2
T11K-090	245 kV	80	2	20,3-33,8	3
T11K-092	420 kV	30,0-42,0	4	30,0-42,0	4
T11K-093	420 kV	80	2	60-63	3
T11K-100	245 kV	100	1	22,0-32,0	2
T11K-101	245 kV	100	2	22,0-32,0	3
T11K-102	245 kV	100	1	16,0-22,0	2
T11K-103	245 kV	100	2	22,0-33,0	2
T11K-104	245 kV	88-100	2	30,0-40,0	3
T11K-105	245 kV	88-100	2	30,0-40,0	2
T11K-106	245 kV	100	2	160.0	2
T11K-107	245 kV	100	2	30,0-40,0	4
T11K-108	245 kV	100	3	100.0	3

*Dimensions are in millimeters. Please specify exact diameter in case of order.



Al-T-Connector

Catalog Number	Voltage	ØA *	Covers A	ØB *	Covers B
T11K-111	420 kV	90-100	2	45,5-46,5	3
T11K-112	420 kV	40,0-54,8	3	100.0	2
T11K-113	420 kV	100	2	30,0-42,0	3
T11K-114	420 kV	100	2	30,0-40,0	4
T11K-119	420 kV	120-125	2	28,5-44,0	3
T11K-120	245 kV	120-125	2	20,0-33,0	3
T11K-122	420 kV	114,3-120,0	2	30,0-42,0	3
T11K-123	245 kV	120	2	30,0-42,0	3
T11K-124	245 kV	114,0-125,0	2	30,0-42,0	3
T11K-125	245 kV	120-125	2	40,0-50,0	2
T11K-126	245 kV	120	2	60-63	2
T11K-127	420 kV	125	2	50.0	2
T11K-128	420 kV	114-120	2	114,0-120,0	2
T11K-129	420 kV	120	1	28,5-33,0	2
T11K-131	420 kV	120	1	120.0	1
T11K-132	420 kV	120	1	45,5-54,8	2
T11K-133	420 kV	120	1	120.0	1
T11K-141	550 kV	140-141,3	2	60-63	2
T11K-142	550 kV	140-141,3	2	30,0-42,0	2
T11K-143	550 kV	140-141,3	2	30,0-42,0	2
T11K-150	420 kV	140-160	2	40-62	3
T11K-151	420 kV	150-160	2	28,5-44,0	4
T11K-152	420 kV	150-160	2	150-160	2
T11K-160	550 kV	160	3	160	3
T11K-163	550 kV	160	2	40-62	3
T11K-164	245 kV	160	1	24,5-42,0	2
T11K-165	420 kV	140	2	30,0-42,0	3
T11K-166	550 kV	160	2	40-62	3
T11K-167	245 kV	160	2	30,0-42,0	3
T11K-168	420 kV	160	2	30,0-42,0	3
T11K-170	245 kV	150-160	1	16,3-24,5	2
T11K-195	420 kV	190	1	50	2
T11K-200	550 kV	200	3	200	3

*Dimensions are in millimeters. Please specify exact diameter in case of order.

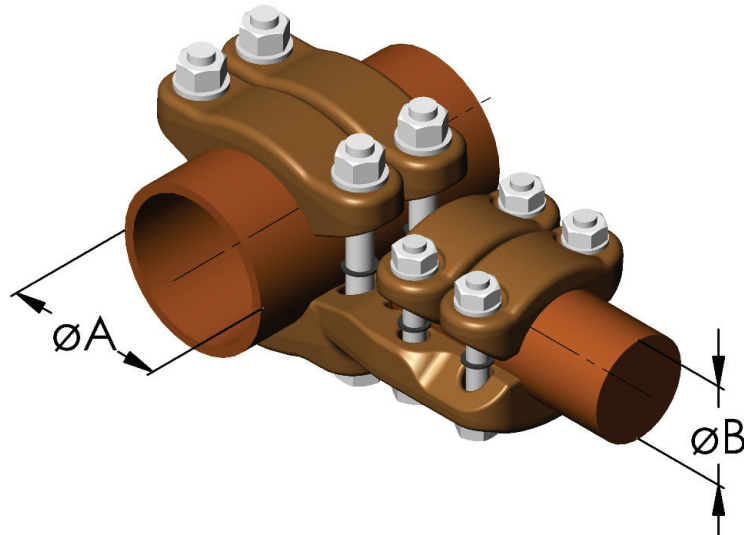


AI-T-Connector

Catalog Number	Voltage	ØA *	Covers A	ØB *	Covers B
T11K-204	550 kV	200	2	30,0-43,0	3
T11K-205	245 kV	200	2	22,0-33,0	3
T11K-206	550 kV	200	2	30,0-62,0	3
T11K-250	420 kV	250	3	250	3
T11K-253	420 kV	250	1	20,3-33,8	2
T11K-254	420 kV	250	2	30,0-42,0	3
T11K-255	420 kV	250	2	114,3-120,0	2
T11K-256	550 kV	250	2	40-62	3
T11K-301	145 kV	300	2	28,5-44,8	2
T11K-363	420 kV	63	1	63	1
T11K-365	420 kV	50-62	2	30,0-42,0	3
T11K-370	245 kV	70-88,9	2	18,3-33,8	2
T11K-451	245 kV	40,0-55,8	2	30,0-44,0	2
T11K-520	550 kV	120	2	46,0-55,0	3
T11K-530	420 kV	50,0-52,0	2	30,0-44,8	3
T11K-531	550 kV	20,3-33,6	2	30,0-42,0	2
T11K-532	245 kV	18,3-33,0	3	18,3-33,0	3
T11K-533	420 kV	25,8-32,6	2	25,8-32,6	2
T11K-535	420 kV	35,0-42,0	3	35,0-42,0	3
T11K-538	245 kV	28,5-30,6	2	50,0-52,0	2
T11K-542	420 kV	30,0-44,0	3	30,0-44,0	3
T11K-543	420 kV	28,5,0-44,0	3	28,5-44,0	2
T11K-550	420 kV	35,0-44,0	3	50,0-53,0	2
T11K-555	550 kV	46,3-54,8	3	46,3-54,8	3
T11K-556	420 kV	30,0-52,0	3	30,0-52,0	3
T11K-564	420 kV	63	2	41,2-44,0	3

*Dimensions are in millimeters. Please specify exact diameter in case of order.

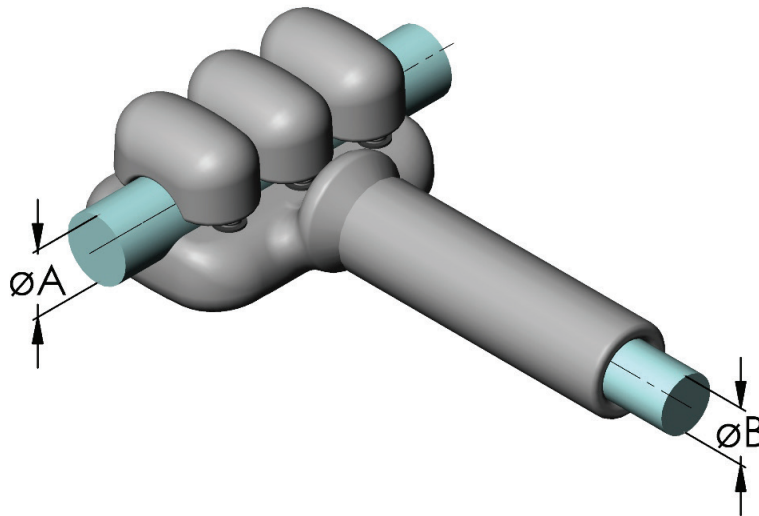
Cu-T-Connector



Catalog Number	Voltage	ØA *	Covers A	ØB *	Covers B
T11K-017Cu	245 kV	5,0-14,0	2	14,0-21,0	2
T11K-022Cu	245 kV	14,0-21,0	2	14,0-21,0	2
T11K-023Cu	245 kV	14,0-21,0	2	21,0-30,0	2
T11K-033Cu	245 kV	18,3-30,6	2	18,3-30,6	2
T11K-042Cu	245 kV	30,0-40,0	2	12,5-21,0	2
T11K-043Cu	245 kV	30,0-40,0	3	21,0-30,0	3
T11K-052Cu	245 kV	40,0-50,0	2	12,5-21,0	2
T11K-060Cu	245 kV	60	2	21,0-30,0	2
T11K-062Cu	245 kV	60	2	12,5-21,0	2
T11K-076Cu	245 kV	76-80	2	40,0-50,0	2
T11K-099Cu	245 kV	100	1	14,0-21,0	2
T11K-103Cu	245 kV	100	1	21,0-30,0	2
T11K-104Cu	245 kV	100	2	30,0-40,0	3
T11K-524Cu	245 kV	14,3-24,5	2	18,3-30,5	2
T11K-525Cu	245 kV	14,3-24,5	2	40,0-50,0	2
T11K-553Cu	245 kV	40,0-50,0	2	40,0-50,0	2
T11K-560Cu	245 kV	20,2-30,6	3	50-60	2

*Dimensions are in millimeters. Please specify exact diameter in case of order.

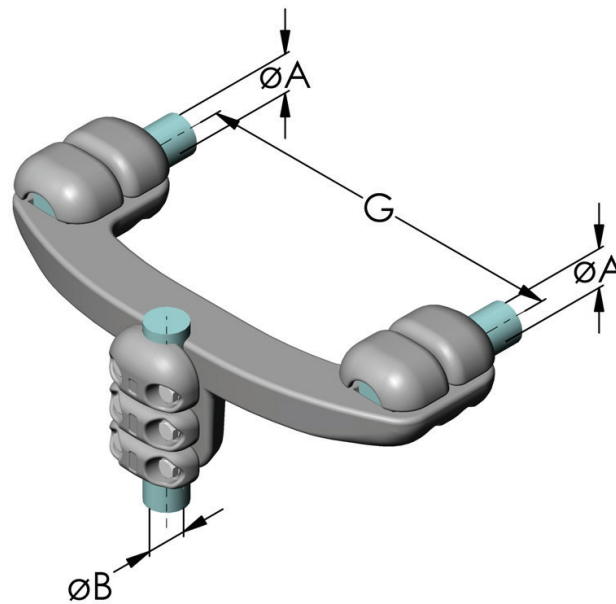
AI-T-Connector Compressed



Catalog Number	Voltage	ØA *	Covers A	ØB *
T11R-031	245 kV	20,0-33,0	3	21.9
T11R-032	550 kV	22,5-32,6	2	31.96
T11R-033	550 kV	32,7-52,0	2	31.96
T11R-034	245 kV	20,0-33,0	3	30.6
T11R-035	245 kV	20,0-33,0	3	32.55
T11R-036	245 kV	35,0-52,0	2	36.9
T11R-037	550 kV	22,5-32,6	2	40.7
T11R-038	550 kV	22,5-32,6	2	46.3
T11R-039	420 kV	30,0-44,0	3	38.25
T11R-040	420 kV	30,0-52,0	2	30.22
T11R-080	420 kV	80	2	31.7
T11R-081	245 kV	80	2	30.22

*Dimensions are in millimeters. Please specify exact diameter in case of order.

AI-90° duplex/single connector

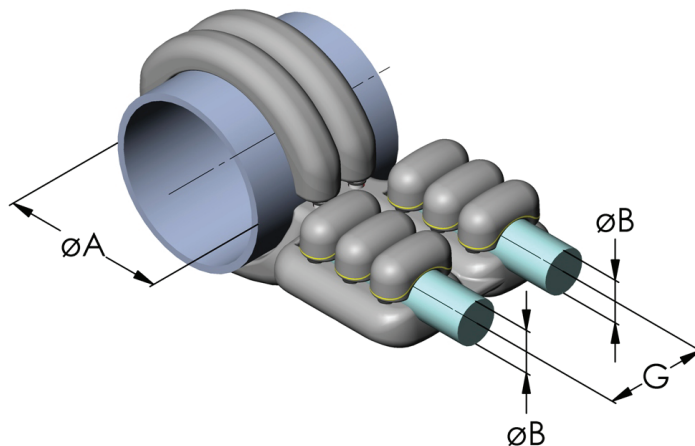


Catalog Number	Voltage	ØA *	Covers A	ØB *	Covers B	"Bundle-spacing G"	Remark
L21K-042	245 kV	20,0-33,0	3	30,0-42,0	3	50	
L21K-065	420 kV	30,0-44,0	2	30,0-44,0	3	400	
L21K-100	420 kV	30,0-42,0	2	30,0-42,0	2	100	"with Coranaring"
L21K-101	550 kV	30,0-44,0	2	30-63	2	100	"with Coranaring"
L21K-451	550 kV	40,0-52,0	2	40-63	2	100	"with Coranaring"

*Dimensions are in millimeters. Please specify exact diameter in case of order.

Al-T-Duplex/single connector

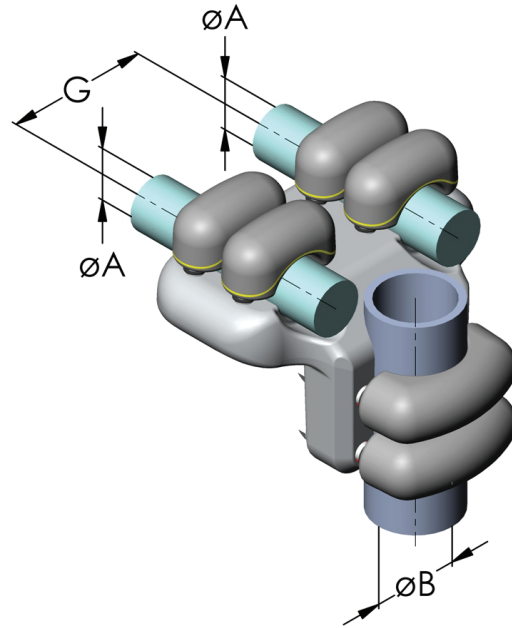
Duplex plane in busbar axis



Catalog Number	Voltage	ØA *	Covers A	ØB *	Covers B	"Bundle-spacing G"
T21K-063	245 kV	60-63	2	20,0-32,0	3	45
T21K-082	245 kV	80	2	20,3-33,8	3	100
T21K-083	245 kV	80	2	20,0-32,0	2	100
T21K-099	245 kV	100	2	20,0-32,0	2	100
T21K-123	245 kV	120	2	20,0-32,0	3	100
T21K-128	420 kV	120	2	28,5-44,0	4	100
T21K-160	420 kV	160	2	30,0-42,0	3	100
T21K-163	420 kV	160	2	30,0-42,0	3	150
T21K-165	420 kV	160	2	30,0-42,0	3	200
T21K-166	420 kV	160	2	30,0-42,0	3	400
T21K-167	420 kV	160	1	24,5-33,0	2	100
T21K-170	420 kV	160	2	28,5-44,0	4	100
T21K-171	420 kV	160	2	28,5-44,0	3	100
T21K-200	420 kV	200	2	30,0-42,0	3	200
T21K-204	245 kV	200	2	22,0-32,0	3	100
T21K-205	420 kV	200	2	30,0-42,0	3	100
T21K-220	420 kV	220	2	29,0-33,0	3	50
T21K-250	420 kV	250	2	30,0-42,0	3	100
T21K-251	550 kV	250	2	40,0-52,0	3	400
T21K-252	420 kV	250	2	30,0-42,0	3	200
T21K-258	550 kV	250	2	30,0-42,0	3	400
T21K-260	420 kV	250	2	28,5-44,0	4	100
T21K-300	420 kV	300	2	28,5-44,0	3	200
T21K-523	245 kV	120	2	30,6-32,6	2	100

*Dimensions are in millimeters. Please specify exact diameter in case of order.

Al-T-Duplex/single connector



Catalog Number	Voltage	ØA *	Covers A	ØB *	Covers B	"Bundle-spacing G"
T21K-020	245 kV	20,3-33,8	2	30,0-44,0	3	457
T21K-021	420 kV	30,6-32,6	1	30,0-32,0	1	200
T21K-022	420 kV	32,0-33,0	3	22,0-33,0	3	60
T21K-024	420 kV	32,0-33,0	2	30,0-42,0	2	100
T21K-025	420 kV	26,0-33,0	3	30,0-42,0	3	50
T21K-026	420 kV	20,0-32,0	3	30,0-40,0	4	400
T21K-029	245 kV	20,0-32,0	2	20,0-32,0	2	200
T21K-030	245 kV	30,0-42,0	1	30,0-42,0	1	100
T21K-032	245 kV	20,0-32,0	2	20,0-32,0	2	100
T21K-033	245 kV	20,0-32,0	3	20,0-32,0	3	100
T21K-034	245 kV	22,0-32,0	2	30,0-42,0	3	100
T21K-035	245 kV	20,0-32,0	2	30,0-40,0	2	70
T21K-036	245 kV	20,0-32,0	2	50-63	2	70
T21K-037	245 kV	30,0-32,0	2	50-52	2	100
T21K-039	245 kV	20,0-32,0	2	40-52	2	400
T21K-042	420 kV	30,0-42,0	2	22,0-33,0	2	100
T21K-044	420 kV	30,0-40,0	3	30,0-40,0	3	90
T21K-046	420 kV	30,0-42,0	2	30,0-42,0	2	100
T21K-047	245 kV	28,5-44,0	2	30,0-44,0	3	200
T21K-049	245 kV	30,0-42,0	2	30,0-42,0	2	300

*Dimensions are in millimeters. Please specify exact diameter in case of order.

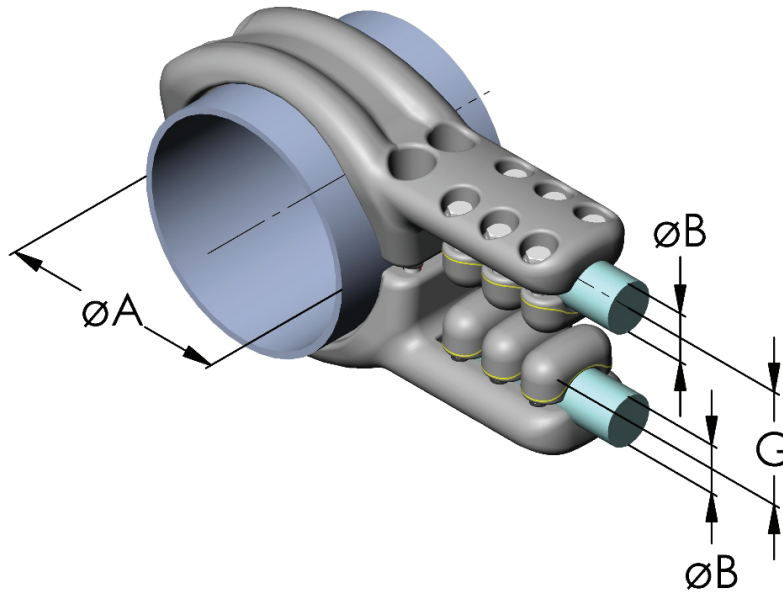
Al-T-Duplex/single connector

Catalog Number	Voltage	ØA *	Covers A	ØB *	Covers B	"Bundle-spacing G"
T21K-050	245 kV	30,0-42,0	3	30,0-42,0	3	100
T21K-055	420 kV	30,0-44,0	2	40-52	3	400
T21K-056	420 kV	30,0-44,0	4	30,0-44,0	3	100
T21K-059	420 kV	29,0-33,0	2	42,0-42,0	2	100
T21K-062	245 kV	30,0-42,0	3	30-52	3	200
T21K-068	420 kV	30,6-33,8	3	39,3,0-44,0	3	60
T21K-069	420 kV	35,0-44,0	2	40-63	2	100
T21K-249	245 kV	30,0-42,0	3	30,0-42,0	3	200
T21K-331	245 kV	22,0-33,0	2	20,0-33,0	3	100
T21K-332	245 kV	20,0-33,0	2	20,0-33,0	3	300
T21K-339	420 kV	30,0-43,2	4	30,0-44,0	4	100
T21K-531	420 kV	20,3-33,8	2	45,5-46,5	3	400
T21K-534	245 kV	24,5-26,5	1	22,0-33,0	2	200
T21K-544	550 kV	30,0-32,6	2	30,0-42,0	3	450
T21K-546	420 kV	45,5-46,5	2	45,5-46,5	3	200
T21K-555	550 kV	46,0-55,0	2	120	3	400
T21K-563	245 kV	30,6-32,6	2	60-63	2	100

*Dimensions are in millimeters. Please specify exact diameter in case of order.

Al-T-Duplex/single connector

Duplex plane 90° to busbar axis



Catalog Number	Voltage	ØA *	"Screwpairs A"	ØB *	Covers B	"Bundle-spacing G"
T21K-060	420 kV	30,6-44,0	2	40,0-63,0	4	100
T21K-064	420 kV	30,0-42,0	2	30,0-63,0	3	100
T21K-065	420 kV	30,0-44,0	2	30,0-44,0	3	400
T21K-081	420 kV	80	2	30,0-44,0	3	100
T21K-101	420 kV	100	2	30,0-42,0	4	150
T21K-102	420 kV	100	2	30,0-44,0	3	200
T21K-103	420 kV	100	2	30,0-44,0	3	100
T21K-106	420 kV	100	2	30,0-42,0	4	100
T21K-121	420 kV	114-120	2	30,0-42,0	3	100
T21K-125	420 kV	120-125	2	30,0-42,0	3	200
T21K-126	66 kV	114-120	2	28,5-44,0	3	100
T21K-129	420 kV	120-125	2	28,5-44,0	4	100
T21K-150	420 kV	150-160	2	30,0-44,0	3	100
T21K-156	420 kV	150-160	2	30,0-42,0	4	150
T21K-161	420 kV	160	2	30,0-44,0	3	115
T21K-164	420 kV	160	2	30,0-42,0	3	150

*Dimensions are in millimeters. Please specify exact diameter in case of order.

Al-T-Duplex/single connector

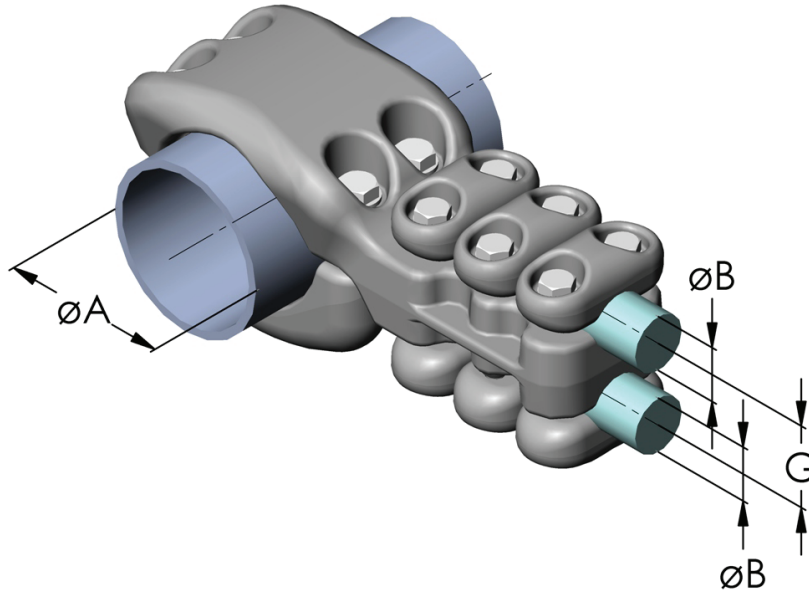
Duplex plane 90° to busbar axis

Catalog Number	Voltage	ØA *	"Screwpairs A"	ØB *	Covers B	"Bundle-spacing G"
T21K-201	420 kV	200	1	20,3-33,0	2	60
T21K-203	420 kV	200	2	20,0-33,0	3	100
T21K-206	420 kV	200	2	30,0-44,0	3	100
T21K-208	420 kV	200	2	30,0-42,0	3	174
T21K-240	245 kV	30,0-44,0	2	30,0-63,0	3	200
T21K-246	420 kV	46.3	2	40,0-52,0	3	200
T21K-255	420 kV	250	1	20,3-33,8	2	200
T21K-256	420 kV	250	1	28,5-33,0	2	100
T21K-257	420 kV	250	2	28,5-33,0	2	100
T21K-259	420 kV	250	2	28,5-44,0	3	200
T21K-261	420 kV	250	2	28,5-44,0	2	100

*Dimensions are in millimeters. Please specify exact diameter in case of order.

Al-T-Duplex/single connector

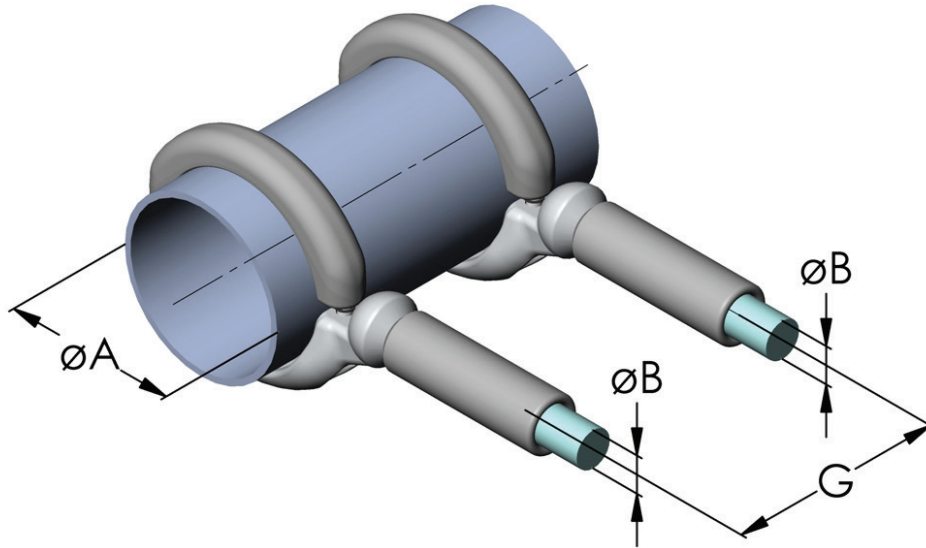
Duplex plane 90° to busbar axis



Catalog Number	Voltage	ØA *	Covers A	ØB *	Covers B	"Bundle-spacing G"
T21K-100	245 kV	100	2	30,0-42,0	4	100
T21K-105	420 kV	100	2	22,0-32,0	3	50
T21K-108	245 kV	100	4	22,0-32,0	3	200
T21K-162	420 kV	160	2	22,0-32,0	3	60

*Dimensions are in millimeters. Please specify exact diameter in case of order.

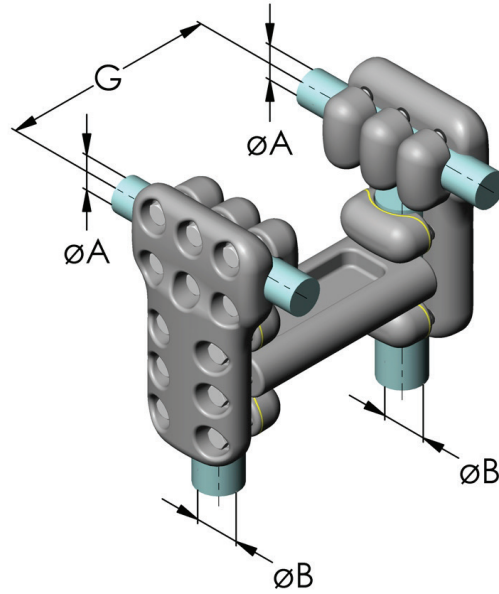
Al-T-Bundle connector



Catalog Number	Voltage	ØA *	Covers A	ØB *	"Bundle-spacing G"
T21R-141	245 kV	140	1	31,7-32,6	200
T21R-160	420 kV	160	2	31.7	200
T21R-161	420 kV	160	2	38.5	200
T21R-250	420 kV	250	2	30.22	100

*Dimensions are in millimeters. Please specify exact diameter in case of order.

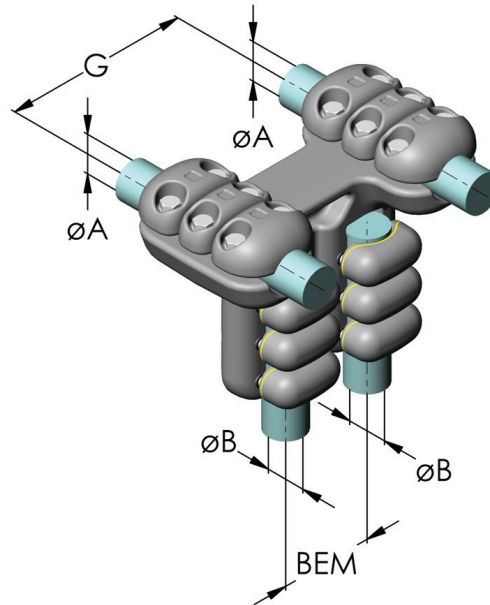
Al-T-Duplex/duplex connector



Catalog Number	Voltage	ØA *	Covers A	ØB *	Covers B	"Bundle-spacing G"
T22K-031	245 kV	20,0-32,0	2	20,0-32,0	2	200
T22K-032	245 kV	20,0-32,0	2	20,0-32,0	2	100
T22K-037	420 kV	20,0-32,0	2	20,0-32,0	2	100
T22K-038	245 kV	20,0-32,0	3	20,0-32,0	3	100
T22K-042	245 kV	30,0-42,0	3	30,0-42,0	3	200
T22K-044	420 kV	30,0-42,0	3	30,0-42,0	3	200
T22K-047	245 kV	30,0-42,0	3	30,0-42,0	3	100
T22K-048	420 kV	20,3-33,8	3	20,3-33,8	3	100
T22K-440	420 kV	27,5-44,0	3	27,5-44,0	3	100
T22K-442	420 kV	35,0-42,0	3	35,0-42,0	3	400

*Dimensions are in millimeters. Please specify exact diameter in case of order.

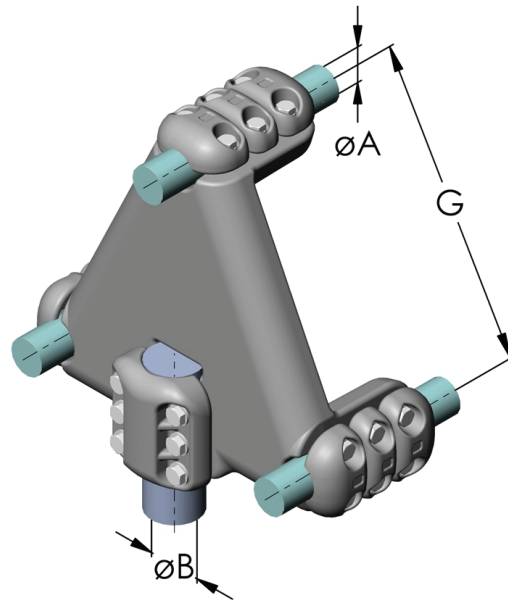
Al-T-Duplex/duplex connector



Catalog Number	Voltage	ØA *	Covers A	ØB *	Covers B	"Bundle-spacing G"	"Bundle-spacing BEM"
T22K-036	245 kV	22,0-32,0	3	22,2-32,2	3	200	85
T22K-441	420 kV	28,5-44,0	3	28,5-44,0	3	200	100
T22K-449	245 kV	35,0-44,0	3	35,0-44,0	3	400	200

*Dimensions are in millimeters. Please specify exact diameter in case of order.

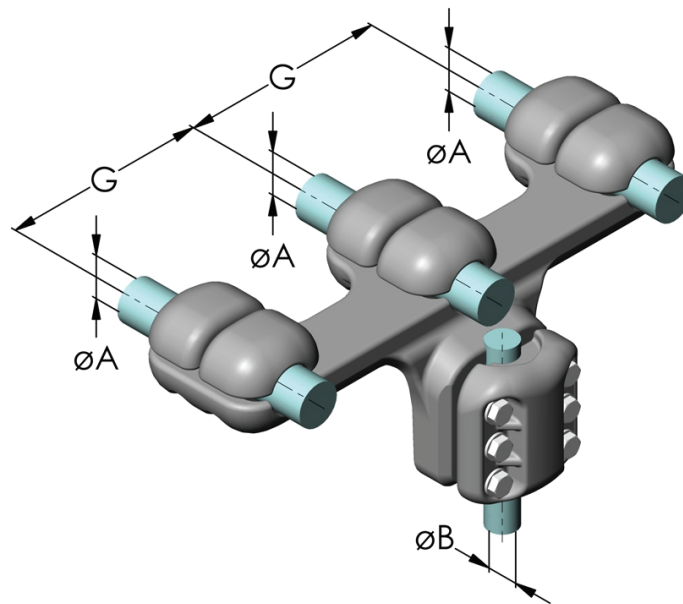
Al-T-Triplex/single connector



Catalog Number	Voltage	ØA *	Covers A	ØB *	Screwpairs B	Bundle-spacing G	Remark
T31K-032	550 kV	22,0-32,0	2	50-62	3	457	-
T31K-033	550 kV	22,0-32,0	2	50-62	3	457	with Coronaring
T31K-044	550 kV	30,0-42,0	2	30-42	2	200	-
T31K-330	550 kV	30,0-42,0	3	30-62	3	330	-
T31K-331	550 kV	30,0-42,0	3	30-62	3	330	with Coronaring
T31K-536	550 kV	30,0-42,0	1	60-62	2	100	with Coronaring

*Dimensions are in millimeters. Please specify exact diameter in case of order.

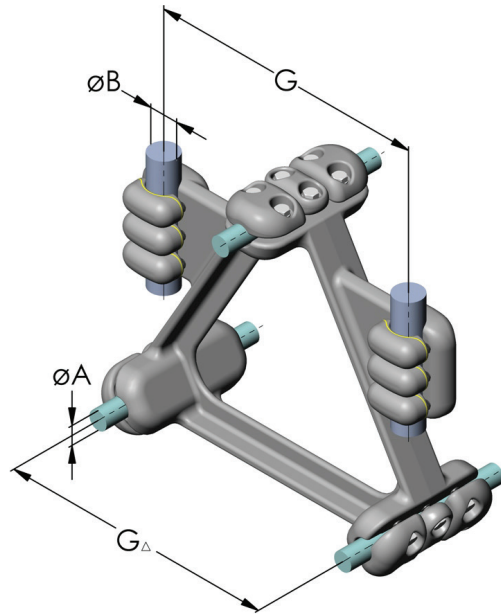
Al-T-Triplex/single connector



Catalog Number	Voltage	ØA *	Covers A	ØB *	Screwpairs B	Bundle-spacing G
T31K-034	550 kV	30,6-32,6	1	50-52	2	300
T31K-042	420 kV	30,0-44,0	3	30,0-44,0	3	100
T31K-060	550 kV	28,5-44,8	3	30-63	3	200
T31K-063	420 kV	28,5-44,8	3	60-63	3	100
T31K-530	420 kV	30,6-32,6	1	30,0-32,0	1	100
T31K-545	245 kV	28,5,-33,0	2	52-52	2	100
T31K-564	245 kV	39,3-41,1	3	60-62	3	100

*Dimensions are in millimeters. Please specify exact diameter in case of order.

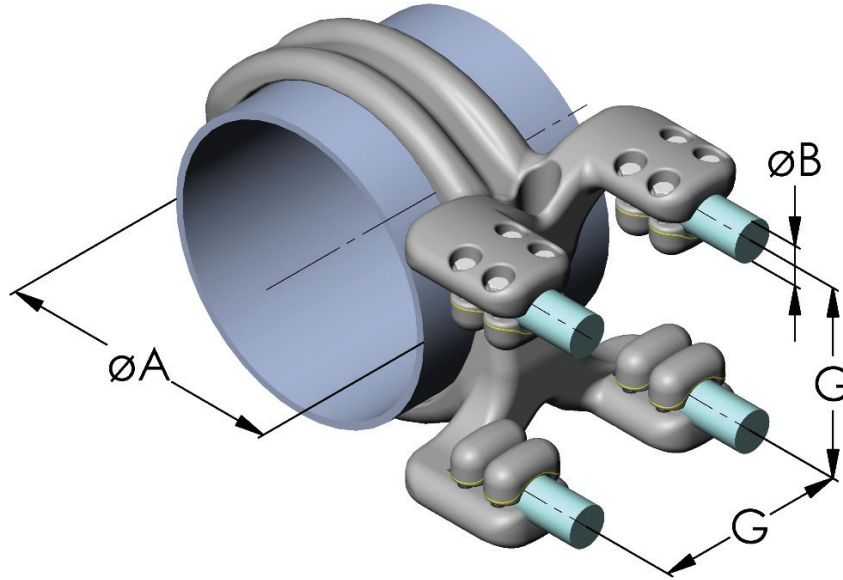
Al-T-Triplex/duplex connector



Catalog Number	Voltage	ØA *	Covers A	Bundle-spacing G_{Δ}	ØB *	Covers B	Bundle-spacing G
T32K-032	420 kV	20,3-32,6	3	400	30-42	2	200
T32K-431	420 kV	20,3-33,8	2	400	30-42	2	200
T32K-432	420 kV	26,5-28,7	3	400	30-42	2	400
T32K-555	550 kV	26,5-33,0	2	457	46-55	2	400

*Dimensions are in millimeters. Please specify exact diameter in case of order.

Al-T-Quadruple/single connector

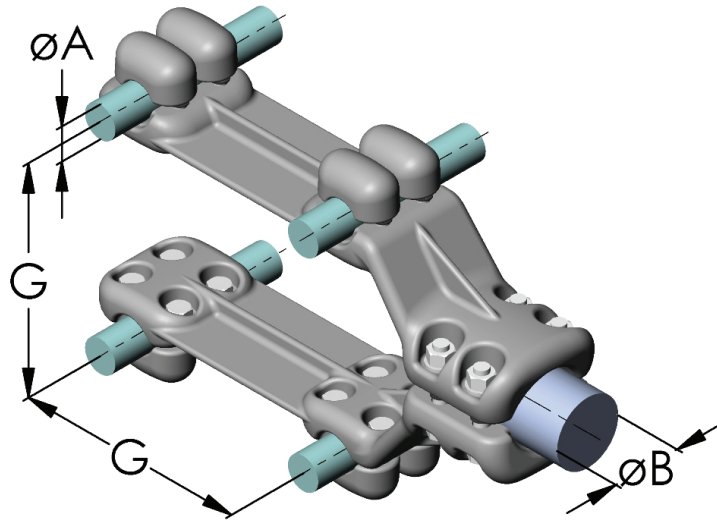


Catalog Number	Voltage	ØA *	Screwpairs A	ØB *	Covers B	Bundle-spacing G
T41K-066	245 kV	40-63	2	28,5-44,8	3	100
T41K-100	550 kV	100	2	30,0-42,0	2	200
T41K-101	245 kV	100	2	22,5-24,5	2	100
T41K-102	550 kV	100	2	22,0-32,0	2	200
T41K-160	550 kV	160	2	30,0-42,0	3	150
T41K-161	245 kV	160	2	22,0-32,0	2	100
T41K-162	550 kV	160	2	30,0-42,0	3	200
T41K-200	550 kV	200	2	40,0-52,0	3	200
T41K-201	550 kV	200	2	30,0-42,0	3	200
T41K-250	550 kV	250	2	30,0-42,0	3	200
T41K-251	550 kV	250	2	22,0-32,0	2	200
T41K-300	420 kV	300	2	30,0-42,0	2	200
T41K-301	420 kV	300	2	28,5-44,0	3	200

*Dimensions are in millimeters. Please specify exact diameter in case of order.

Al-T-Quadruple/single connector

Types with coronaring to be used for conductors end at HV



Catalog Number	Voltage	ØA *	Covers A	ØB *	Screwpairs B	Bundle-spacing G	Remark
T41K-022	550 kV	18,3-33,8	2	50-63	2	200	with Coronaring
T41K-032	550 kV	22,0-32,0	2	22,0-32,0	2	200	-
T41K-033	550 kV	22,0-32,0	2	22,0-32,0	2	200	with Coronaring
T41K-034	420 kV	22,0-32,0	3	30,0-42,0	3	100	-
T41K-061	420 kV	18,3-33,8	2	50-63	2	200	-
T41K-062	245 kV	30,0-42,0	3	50-63	2	200	-
T41K-063	550 kV	30,0-42,0	3	50-63	2	200	with Coronaring
T41K-064	550 kV	30,0-42,0	3	50-63	2	200	-

*Dimensions are in millimeters. Please specify exact diameter in case of order.