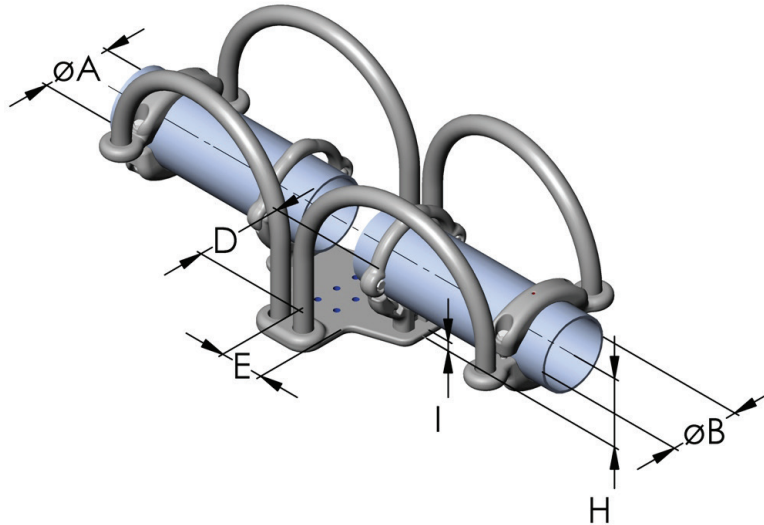


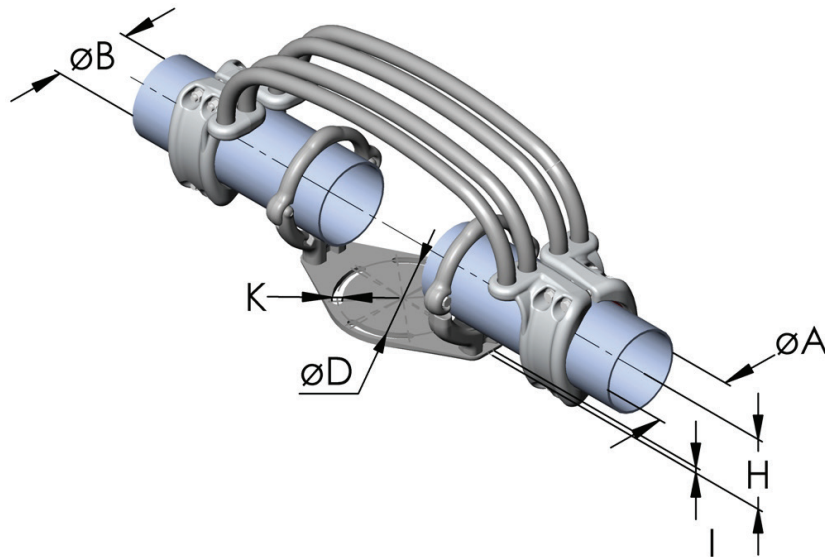
Al-Busbar expansion support coupler straight with flat terminal (ES/DS)



Catalog Number	Voltage	ØA *	ØAi *	Height H	Flat Terminal		
					D	E	I
IXFK-050B	245 kV	50	50	75	100	100	20
IXFK-063B	245 kV	60	60	90	100	100	20
IXFK-080C	245 kV	80	80	90	100	100	20
IXFK-080E	245 kV	80	80	90	127	160	20
IXFK-112B	245 kV	100	100	110	100	100	20
IXFK-120E	420 kV	120	120	130	200	100	25
IXFK-120F	420 kV	120	120	130	200	100	25
IXFK-124E	420 kV	120	120	130	100	100	25
IXFK-160E	420 kV	160	160	130	200	100	25
IXFK-200F	420 kV	200	200	180	200	100	17
IXFK-220F	420 kV	220	220	210	200	100	25
IXFK-251E	550 kV	250	250	235	200	100	35
IXFK-253E	420 kV	250	250	225	200	100	25

*Dimensions are in millimeters. Please specify exact diameter in case of order.

Al-Busbar expansion support coupler straight with baseplate (PI)



Catalog Number	Voltage	ØA *	ØB *	Height H	ØD	Diameter K	Flange-thickness I
IXOXK-050B	245 kV	50	50	65	120	14	12
IXOXK-063B	245 kV	60-63	50	90	120	14	12
IXOXK-064B	245 kV	63	63	90	120	14	12
IXOXK-065C	245 kV	60	60	90	127	18	12
IXOXK-070C	245 kV	70	70	90	127	18	12
IXOXK-079C	245 kV	80	80	90	120	14	12
IXOXK-080C	245 kV	80	80	90	120	14	10
IXOXK-081C	245 kV	80	80	90	127	18	10
IXOXK-082C	245 kV	80	80	100	120	14	12
IXOXK-082E	245 kV	80	80	100	120	14	12
IXOXK-083B	245 kV	80	80	100	76	14	12
IXOXK-083E	245 kV	80	80	100	76	14	12
IXOXK-084B	245 kV	80	80	90	127	18	12
IXOXK-084C	245 kV	80	80	90	127	18	12
IXOXK-085C	245 kV	80	80	90	-	-	15
IXOXK-086E	245 kV	80	80	90	127	18	12
IXOXK-087B	245 kV	80	80	100	225	18	12
IXOXK-088C	245 kV	88.9	88.9	105	76	14	12
IXOXK-089E	245 kV	80	80	90	120	14	12
IXOXK-090C	245 kV	90	90	105	76	14	12
IXOXK-091E	420 kV	80	80	90	127	18	12

*Dimensions are in millimeters. Please specify exact diameter in case of order.

Al-Busbar expansion support coupler straight with baseplate (PI)

Catalog Number	Voltage	ØA *	ØB *	Height H	ØD	Diameter K	Flange-thickness I
IXOXC-092E	420 kV	80	80	102	225	18	12
IXOXC-093C	245 kV	88.9	88.9	105	127	18	12
IXOXC-094C	245 kV	88.9	88.9	105	76	14	12
IXOXC-100B	245 kV	100	100	110	127	18	12
IXOXC-100C	245 kV	100	100	100	127	18	12
IXOXC-100CU	245 kV	100	100	110	127	18	12
IXOXC-100E	245 kV	100	100	100	127	18	12
IXOXC-100F	245 kV	100	100	100	127	18	12
IXOXC-101C	245 kV	100	100	100	127	18	12
IXOXC-101CU	245 kV	100	100	110	76	14	12
IXOXC-102E	245 kV	100	100	100	120	14	12
IXOXC-115B	245 kV	114-120	114-120	130	127	18	12
IXOXC-117E	420 kV	120	120	130	127	18	12
IXOXC-118C	420 kV	120	120	130	260	18	12
IXOXC-119C	245 kV	120	120	90	120	14	15
IXOXC-120C	420 kV	120	120	130	127	18	12
IXOXC-120E	420 kV	120	120	130	127	18	12
IXOXC-120F	420 kV	120	120	130	127	18	12
IXOXC-121C	245 kV	120	120	90	127	18	15
IXOXC-122C	420 kV	114-120	114-120	130	225	18	15
IXOXC-122E	420 kV	114-120	114-120	130	225	18	15
IXOXC-123E	420 kV	120	120	130	120	14	15
IXOXC-123F	420 kV	120	120	130	120	14	15
IXOXC-124C	550 kV	120	120	130	225	18	12
IXOXC-124F	550 kV	120	120	130	225	18	12
IXOXC-125C	245 kV	125	125	115	127	18	12
IXOXC-125F	420 kV	125	125	115	127	18	12
IXOXC-126C	420 kV	125	125	130	127	18	12
IXOXC-127C	420 kV	125	125	130	127	18	12
IXOXC-128C	245 kV	114-120	114-120	130	76	14	12
IXOXC-128E	420 kV	114-120	114-120	130	76	14	12
IXOXC-129C	245 kV	114-120	114-120	130	76	14	12
IXOXC-130C	420 kV	125	125	130	127	18	12
IXOXC-131C	245 kV	120	120	130	127	18	12
IXOXC-132E	245 kV	120	120	130	110	14	12
IXOXC-133F	420 kV	120	120	130	-	-	12

*Dimensions are in millimeters. Please specify exact diameter in case of order.

continued next page

Al-Busbar expansion support coupler straight with baseplate (PI)

Catalog Number	Voltage	ØA *	ØB *	Height H	ØD	Diameter K	Flange-thickness I
IXOXX-134C	420 kV	120	120	130	127	18	12
IXOXX-138C	420 kV	125	125	130	127	18	12
IXOXX-141F	550 kV	140-141,3	140-141,3	140	127	18	15
IXOXX-142F	550 kV	140-141,3	140-141,3	140	76	14	15
IXOXX-143C	550 kV	140-141,3	140-141,3	140	127	18	12
IXOXX-143E	550 kV	140-141,3	140-141,3	140	127	18	12
IXOXX-143F	420 kV	140-141,3	140-141,3	140	127	18	12
IXOXX-144E	550 kV	140-141,3	140-141,3	140	225	18	12
IXOXX-145E	550 kV	140-141,3	140-141,3	140	225	18	12
IXOXX-146E	550 kV	140-141,3	140-141,3	140	127	18	12
IXOXX-150C	420 kV	150	150	130	127	18	12
IXOXX-151C	420 kV	150	150	125	127	18	12
IXOXX-152B	420 kV	150	150	150	127	18	12
IXOXX-153C	420 kV	150	150	150	127	18	12
IXOXX-159C	550 kV	160	160	127	225	18	10
IXOXX-160E	550 kV	160	160	130	225	18	15
IXOXX-161C	420 kV	160	160	140	127	18	15
IXOXX-161D	420 kV	160	160	140	127	18	15
IXOXX-161E	420 kV	160	160	130	127	18	15
IXOXX-162G	420 kV	160	160	130	127	18	15
IXOXX-163G	550 kV	160	160	150	127	18	40
IXOXX-164G	550 kV	160	160	150	225	18	40
IXOXX-165B	245 kV	160	160	130	127	18	15
IXOXX-165C	245 kV	160	160	130	127	18	15
IXOXX-166C	420 kV	160	160	150	127	18	15
IXOXX-167E	420 kV	160	160	130	225	18	15
IXOXX-167F	420 kV	160	160	130	225	18	15
IXOXX-168B	420 kV	160	160	150	127	18	12
IXOXX-168D	550 kV	160	160	150	127	18	12
IXOXX-168F	550 kV	160	160	150	127	18	12
IXOXX-169E	550 kV	160	160	150	127	18	12
IXOXX-170C	420 kV	168	168	150	127	18	12
IXOXX-171E	420 kV	160	160	150	294	18	12
IXOXX-172E	550 kV	168	168	150	225	18	12
IXOXX-173E	245 kV	160	160	150	120	14	15
IXOXX-174E	420 kV	160	160	150	254	18	12

*Dimensions are in millimeters. Please specify exact diameter in case of order.

continued next page

Al-Busbar expansion support coupler straight with baseplate (PI)

Catalog Number	Voltage	ØA *	ØB *	Height H	ØD	Diameter K	Flange-thickness I
IXOXX-175E	420 kV	160	160	150	225	18	12
IXOXX-176C	420 kV	160	160	150	225	18	12
IXOXX-177F	550 kV	160	160	150	127	18	12
IXOXX-200F	420 kV	200	200	180	225	18	17
IXOXX-201E	420 kV	200	200	180	127	18	15
IXOXX-201F	420 kV	200	200	180	127	18	17
IXOXX-202E	420 kV	200	200	175	127	18	15
IXOXX-203C	420 kV	200	200	180	225	18	12
IXOXX-203E	550 kV	200	200	180	225	18	12
IXOXX-204D	420 kV	200	200	180	225	18	12
IXOXX-204E	420 kV	200	200	170	225	18	12
IXOXX-205D	420 kV	200	200	175	76	14	12
IXOXX-206E	245 kV	200	200	180	120	18	15
IXOXX-207C	550 kV	200	200	180	127	18	12
IXOXX-207F	550 kV	200	200	180	127	18	12
IXOXX-208F	550 kV	200	200	165	225	18	12
IXOXX-220F	420 kV	220	220	210	225	18	12
IXOXX-221E	550 kV	220	220	210	127	18	12
IXOXX-222E	420 kV	220	220	185	225	18	12
IXOXX-247B	420 kV	250	250	225	325	18	15
IXOXX-248C	420 kV	250	250	225	325	18	15
IXOXX-249C	420 kV	250	250	225	300	18	15
IXOXX-250C	550 kV	250	250	225	225	18	12
IXOXX-250E	550 kV	250	250	225	225	18	15
IXOXX-251F	550 kV	250	250	225	225	18	15
IXOXX-252C	420 kV	250	250	225	225	18	15
IXOXX-252F	550 kV	250	250	225	225	18	15
IXOXX-253F	420 kV	250	250	225	225	18	15
IXOXX-254F	420 kV	250	250	225	225	18	15
IXOXX-255D	420 kV	250	250	225	127	18	15
IXOXX-255E	420 kV	250	250	225	127	18	15
IXOXX-255F	420 kV	250	250	225	127	18	15
IXOXX-256F	420 kV	250	250	225	127	18	15
IXOXX-257F	420 kV	250	250	225	225	18	15
IXOXX-258E	420 kV	250	250	225	225	18	15
IXOXX-260E	420 kV	250	250	225	127	18	15

*Dimensions are in millimeters. Please specify exact diameter in case of order.

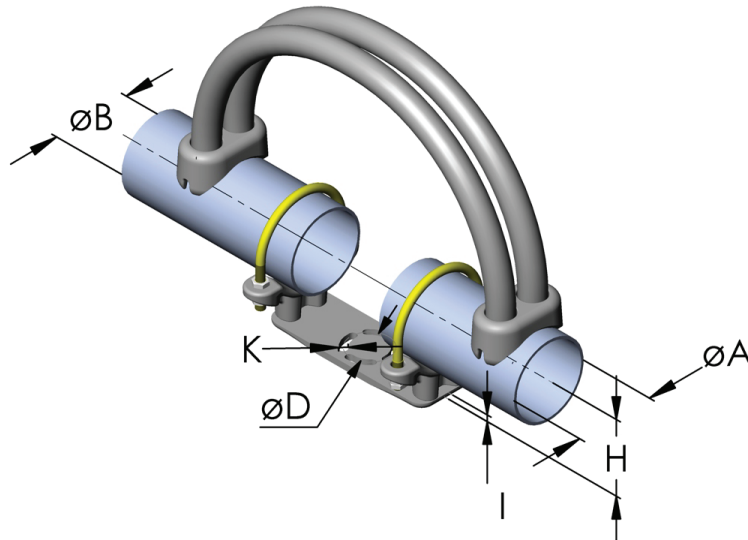
continued next page

Al-Busbar expansion support coupler straight with baseplate (PI)

Catalog Number	Voltage	ØA *	ØB *	Height H	ØD	Diameter K	Flange-thickness I
IXOXK-261F	420 kV	250	250	225	254	18	15
IXOXK-263F	420 kV	250	250	225	225	18	15
IXOXK-264E	550 kV	250	250	225	254	18	15
IXOXK-265F	420 kV	250	250	225	225	18	15
IXOXK-266C	420 kV	250	250	225	225	18	12
IXOXK-266E	420 kV	250	250	225	225	18	12
IXOXK-267F	420 kV	250	250	225	127	18	12
IXOXK-269C	420 kV	250	250	225	127	18	15
IXOXK-271F	420 kV	250	250	250	225	18	12

*Dimensions are in millimeters. Please specify exact diameter in case of order.

Al-Straight busbar expansion support coupler welded with baseplate (PI)



Catalog Number	Voltage	ØA *	ØB *	Height H	ØD	Diameter K	Flange-thickness I
IXOXW-089C	420 kV	88.9	88.9	105	127	18	12
IXOXW-090C	420 kV	88.9	88.9	105	76	14	12
IXOXW-141F	550 kV	140-141,3	140-141,3	140	127	18	12
IXOXW-142F	550 kV	140-141,3	140-141,3	140	127	18	12
IXOXW-143F	550 kV	141.3	141.3	140	76	14	12
IXOXW-144C	550 kV	141.3	141.3	140	127	18	12
IXOXW-145C	550 kV	141.3	141.3	140	127	18	12
IXOXW-168C	420 kV	168	168	150	127	18	12
IXOXW-200E	245 kV	200	200	180	120	18	15
IXOXW-301E	420 kV	300	300	250	127	18	15
IXOXW-302E	420 kV	300	300	250	127	18	15

*Dimensions are in millimeters. Please specify exact diameter in case of order.