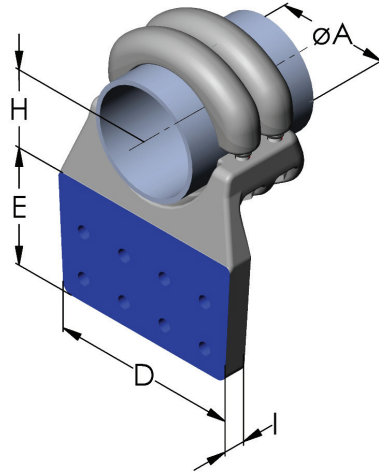


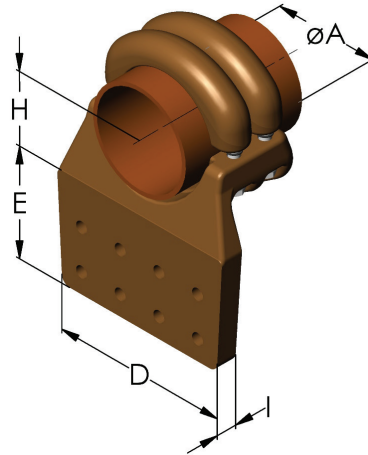
Al-90° Flat Terminal Connector



Catalog Number	Voltage	ØA *	Covers A	Height H	Flat terminal		
					D	E	I
L1FK-022	245 kV	16,0-22,0	3	125	100	100	12
L1FK-024	245 kV	16,0-24,0	2	140	100	100	12
L1FK-028	245 kV	22,0-33,0	2	129	100	100	15
L1FK-029	245 kV	20,0-32,0	2	110	80	75	14
L1FK-030	245 kV	22,0-32,0	2	155	122	100	20
L1FK-032	245 kV	20,0-32,0	3	130	100	100	15
L1FK-040	245 kV	30,0-42,0	2	142	100	100	18
L1FK-041	420 kV	28,5-44,0	3	150	100	100	18
L1FK-042	245 kV	30,0-40,0	3	142	100	100	15
L1FK-043	245 kV	30,0-40,0	4	167	125	125	20
L1FK-045	245 kV	30,0-42,0	3	140	100	200	15
L1FK-046	420 kV	30,0-44,0	4	150	100	100	17
L1FK-050	245 kV	40,0-50,0	2	150	100	100	20
L1FK-051	420 kV	40,0-54,8	2	150	100	100	15
L1FK-055	550 kV	45,5-46,5	3	200	100	150	15
L1FK-082	420 kV	80	2	190	125	125	20
L1FK-090	245 kV	90-100	2	175	100	100	20
L1FK-101	420 kV	100	2	200	125	125	20
L1FK-120	550 kV	114-120	2	26.5	125	125	25
L1FK-126	420 kV	120	2	177	100	100	30
L1FK-127	420 kV	120-125	2	210	125	200	25
L1FK-142	550 kV	141	2	245	125	125	20
L1FK-160	245 kV	160	2	120	100	200	20
L1FK-163	550 kV	160	2	245	125	300	25

*Dimensions are in millimeters. Please specify exact diameter in case of order.

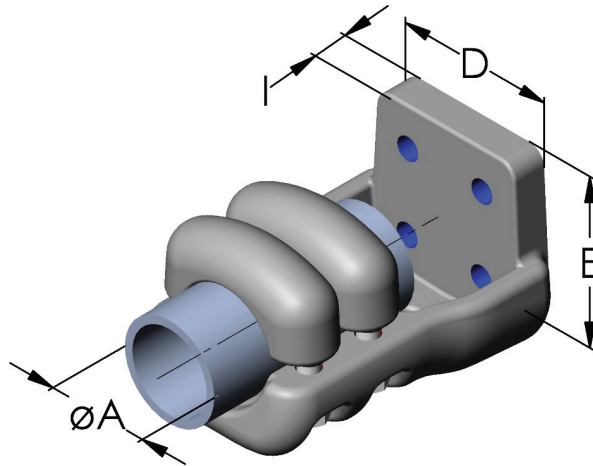
Cu-90° Flat Terminal Connector



Catalog Number	Voltage	ØA *	Covers A	Height H	Flat terminal		
					D	E	I
L1FK-022Cu	245 kV	14,0-21,0	2	130	100	100	8
L1FK-023Cu	245 kV	14,0-21,0	2	90	60	60	8
L1FK-030Cu	245 kV	21,0-30,0	2	133	100	100	12

*Dimensions are in millimeters. Please specify exact diameter in case of order.

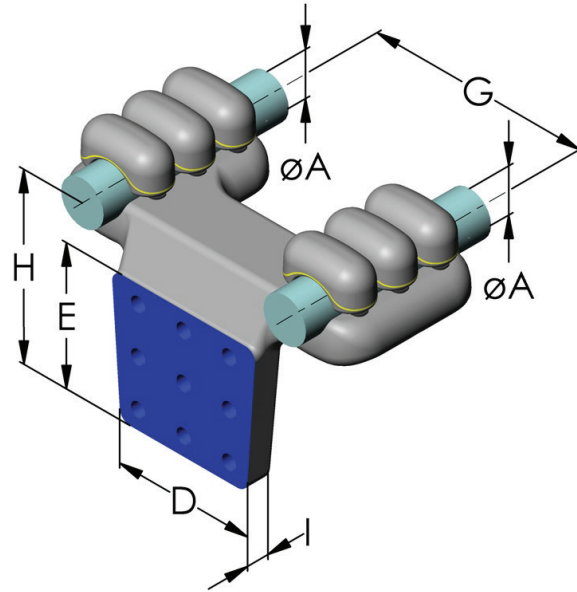
Al-90° Central Flat Terminal Connector



Catalog Number	Voltage	ØA *	Covers A	Flat terminal		
				D	E	I
L1FK-060	245 kV	50-63	2	100	100	20
L1FK-063	245 kV	60-63	2	100	100	20
L1FK-064	420 kV	50-63	2	100	100	20
L1FK-121	420 kV	120	2	200	100	25

*Dimensions are in millimeters. Please specify exact diameter in case of order.

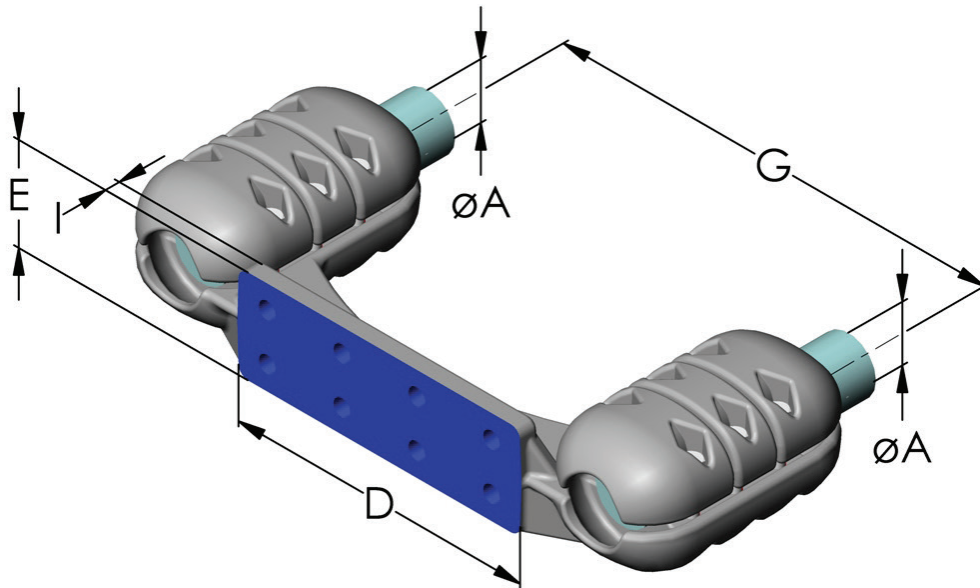
AI-90° duplex flat terminal connector



Catalog Number	Voltage	ØA *	Covers A	Bundle-spacing G	Height H	Flat terminal		
						D	E	I
L2FK-027	245 kV	26,0-33,0	2	100	129	100	100	15
L2FK-028	420 kV	29,0-33,0	3	50	157	100	100	15
L2FK-031	420 kV	29,0-33,0	3	50	157	200	100	15
L2FK-033	245 kV	20,0-32,0	3	100	140	100	100	20
L2FK-034	420 kV	30,0-42,0	3	200	140	100	100	30
L2FK-035	245 kV	20,0-33,0	3	100	160	125	125	20
L2FK-036	420 kV	30,0-44,0	3	200	140	100	100	30
L2FK-039	420 kV	30,0-42,0	2	400	145	125	125	20
L2FK-040	420 kV	30,0-42,0	3	400	112	200	100	20
L2FK-043	550 kV	30,0-42,0	3	200	150	200	100	20
L2FK-048	420 kV	30,0-42,0	3	150	165	125	125	25
L2FK-049	420 kV	30,0-44,0	3	100	145	100	100	25
L2FK-051	420 kV	30,0-44,0	3	200	167	125	125	25
L2FK-240	420 kV	30,0-44,0	3	200	140	100	100	30
L2FK-245	420 kV	46,3	3	200	175	125	125	25
L2FK-340	420 kV	28,5-44,0	3	300	177	125	125	30
L2FK-345	420 kV	45,7-46,3	3	300	175	125	125	35
L2FK-530	420 kV	18,3-33,8	2	200	132	100	100	20
L2FK-540	420 kV	28,5-44,0	3	150	150	200	100	20

*Dimensions are in millimeters. Please specify exact diameter in case of order.

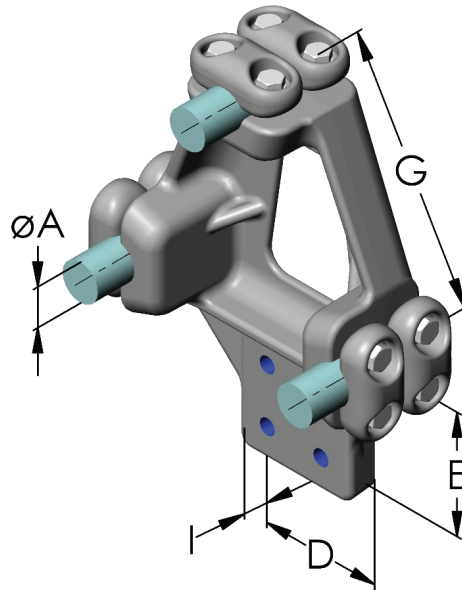
Al-90° duplex central flat terminal connector



Catalog Number	Voltage	ØA *	Covers A	Bundle-spacing G	Flat terminal		
					D	E	I
L2FK-029	245 kV	20,3-33,8	2	106	200	100	15
L2FK-032	245 kV	32,2	3	100	100	100	12
L2FK-046	420 kV	30,0-42,0	3	100	125	125	25
L2FK-050	420 kV	28,5-33,0	2	100	125	125	16
L2FK-555	550 kV	46,0-55,0	2	400	200	100	15

*Dimensions are in millimeters. Please specify exact diameter in case of order.

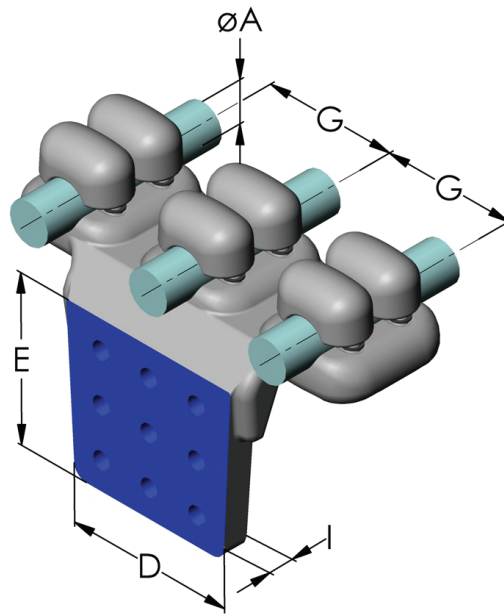
Al-90° triplex flat terminal connector



Catalog Number	Voltage	ØA *	Covers A	Bundle-spacing G	Flat Terminal		
					D	E	I
L3FK-042	550 kV	30,0-42,0	3	200	200	100	35
L3FK-330	550 kV	30,0-42,0	3	330	200	125	20
L3FK-331	550 kV	30,0-42,0	3	330	300	125	25

*Dimensions are in millimeters. Please specify exact diameter in case of order.

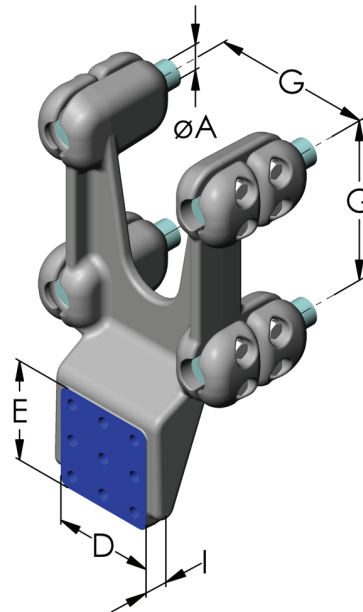
Al-90° triplex flat terminal connector



Catalog Number	Voltage	ØA *	Covers A	Bundle-spacing G	Flat Terminal		
					D	E	I
L3FK-030	420 kV	20,3-33,8	2	100	125	125	20
L3FK-041	420 kV	30,0-44,0	3	100	200	100	20
L3FK-047	550 kV	36,9-44,0	3	200	300	100	20
L3FK-533	420 kV	30,6-32,6	2	100	125	125	15

*Dimensions are in millimeters. Please specify exact diameter in case of order.

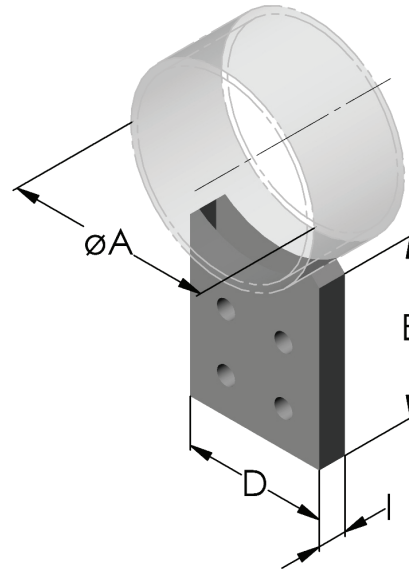
Al-90° quadruple flat terminal connector



Catalog Number	Voltage	ØA *	Covers A	Bundle-spacing G	Flat Terminal		
					D	E	I
L4FK-025	550 kV	24,5-33,8	1	200	100	100	15
L4FK-026	420 kV	24,5-33,8	1	200	100	100	15
L4FK-032	550 kV	30,6-33,8	2	200	200	100	25
L4FK-033	420 kV	20,0-34,0	2	450	125	125	25
L4FK-034	550 kV	22,0-32,0	2	200	200	100	25
L4FK-038	420 kV	20,3-33,8	2	200	125	125	25
L4FK-039	550 kV	20,3-33,8	2	200	100	200	25

*Dimensions are in millimeters. Please specify exact diameter in case of order.

Al-90° flat terminal connector welded



Catalog Number	Voltage	ØA *	Flat Terminal		
			D	E	I
LFW-120	145 kV	120	125	165	35
LFW-141	245 kV	141.3	125	80	25
LFW-142	245 kV	141	125	125	20
LFW-165	145 kV	160	125	125	25
LFW-225	145 kV	200	125	125	40

*Dimensions are in millimeters. Please specify exact diameter in case of order.