



**PP PREFORMED** LINE PRODUCTS  
The connection you can count on.

## Section 7 - Hardware & Fittings

Table of Contents	Sec/Page
Aluminium Sheave.....	7-6
Arcing Horn.....	7-5
Ball 'Y' Clevis.....	7-4
Ball Clevis.....	7-8
Ball Clevis for Arcing Horn.....	7-4
Ball Eye for Arcing Horn.....	7-4
Ball Eyes.....	7-9
Ball Hook Long Shank.....	7-10
Ball Hook Short Shank.....	7-10
Ball Tongue.....	7-11
Cable Stockings.....	7-18
Clevis Thimbles.....	7-6
Counterweight Assembly.....	7-11
D - Shackles.....	7-6
Extension Link Ball Clevis.....	7-12
Extension Link Ball Eye.....	7-12
Extension Link Eye Eye.....	7-11
Extension Link Socket Clevis.....	7-12
Eye Tongue.....	7-9
Galvanised Pole Step.....	7-14
Guy Crossover Plate.....	7-11
Guy/Stay Guard.....	7-16
Link (Plate Double).....	7-2
Link Eye.....	7-9
Link Single Plate.....	7-2
M16 & M20 Round Eye Bolt.....	7-15
M20 & M24 Elongated Eye Bolt.....	7-14
M20 Round Eye Bolt.....	7-15
Maintenace Tension Link.....	7-3
Pole Band.....	7-19
Sag Link.....	7-2
Shackles.....	7-5
Sheave - Machined Steel.....	7-6
Socket Ball.....	7-8
Socket Clevis.....	7-7
Socket Thimble.....	7-7
Socket Tongue.....	7-7
Spiral Bird-Flight™ Diverter.....	7-17
Spiral Bird-Flight™ Diverter - Swan.....	7-17
Tongue Clevis.....	7-8
Tongue Hook.....	7-10
Tongue Hook/Latched.....	7-10

Table of Contents	Sec/Page
Turnbuckles - Clevis/Clevis.....	7-12
Turnbuckles - Clevis/Tongue.....	7-13
Turnbuckles - Eye/Clevis.....	7-13
Turnbuckles - Eye/Eye.....	7-13
Twisted Eye Tongue.....	7-9
Twisted Socket Tongue.....	7-5
Twisted Socket Tongue for Arcing Horn.....	7-4
U-Bolt Stay Tensioner.....	7-13
'Y' Clevis Tongue.....	7-8
Yoke Plates.....	7-3

# Hardware & Fittings



## LSP

### Link (Single Plate)

**Features:**

- Link plates are available in 70, 120 and 160kN
- Substitute -070 for -120 or -160 respectively

Part Number Double Clamp	Rating (kN)	Hole Separation (mm)
LSP-070-100	70	100
LSP-070-150	70	150
LSP-070-200	70	200
LSP-070-250	70	250
LSP-070-300	70	300
LSP-070-350	70	350

**Note:** Contact PLP if other centre distances are required.



## L

### Link (Double Plate)

**Features:**

- Link plates are available in 70, 120 and 160kN
- Substitute -070 for -120 or -160 respectively

Part Number Double Clamp	Rating (kN)	Hole Separation (mm)
L-070-100	70	100
L-070-150	70	150
L-070-200	70	200
L-070-250	70	250
L-070-300	70	300
L-070-350	70	350



## CTSL

### Sag Link

**For the adjustment of conductors:**

- M16 and M20 Hardware
- CTSLEW is a shorter version for Earthwire

Part Number	Rating (kN)	Range		Tower Angle width (mm)
		Minimum (mm)	Maximum (mm)	
CTSL-070-1	70	556	974	M16
CTSLEW-070-1	70	320	490	M16
CTSL-120	120	565	870	M16
CTSL-160-1	160	535	735	M20
CTSL-160-4	160	702	1075	M20
CTSL-160-30323	160	236	350	M20
CTSLEW-160-1	160	320	490	M20
CTSL-210	210	320	490	M20

# Hardware & Fittings



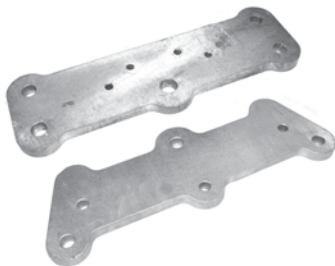
## YPT

### Yoke Plate - Triangular

PLP design and manufacture an extensive range of Yoke plates to suit any application. Triangular and rectangular plates are available with various hole spacing and thickness to suit either tension or suspension applications. Standard ratings available are 70, 120, 160 and 210kN. Please contact PLP with your specific requirements.

Part Number	Tension Rating (kN)	Hole Spacing (mm)
YPT-070-060	70	60
YPT-070-070	70	70
YPT-070-100	70	100
YPT-070-125	70	125
YPT-070-150	70	150
YPT-070-200	70	200
YPT-070-250	70	250
YPT-070-380	70	380
YPT-070-460	70	460
YPT-070-560	70	560
YPT-070-660	70	660
YPT-120-060	120	60
YPT-120-100	120	100
YPT-120-200	120	200
YPT-120-380	120	380
YPT-120-400	120	400

Part Number	Tension Rating (kN)	Hole Spacing (mm)
YPT-160-125	160	125
YPT-160-130-1	160	130
YPT-160-180-4	160	180
YPT-160-200	160	200
YPT-160-250	160	250
YPT-160-380-1	160	380
YPT-160-460-6	160	460
YPT-160-500	160	500
YPT-160-520-6	160	520
YPT-160-560-1	160	560
YPT-160-60	160	60
YPT-160-660	160	660
YPT-190-380-6	190	380
YPT-190-460-6	190	400
YPT-210-380	210	200
YPT-210-400	210	400
YPT-320-380-1	320	380



## YPR

### Yoke Plate Rectangular

Part Number
YPR-***

**Note:** Please contact PLP with your specific requirements.



## MTL

### Maintenance Tension Link - Galvanised Steel

Part Number	Tension Rating (kN)	Hole Spacing (mm)
YPT-070-060	70	60
MTL-160-4	160	60

# Hardware & Fittings



## BYC

### Ball 'Y' Clevis

Part Number	Minimum Failing Load (kN)	Ball Size (mm)	Bolt Size (mm)
BYC-070-1	70	16	M16
BYC-120-AH	120	16	M16
BYE-160-1	160	20	M20

**Note:** -AH refers to ball Y clevis for arcing horn



## BEAH

### Ball Eye for Arcing Horn

Part Number	Minimum Failing Load (kN)	Ball Size (mm)
BEAH-070-9	70	16
BEAH-160-1	160	20
BEAH-210-1	210	20



## BCAH

### Ball Clevis for Arcing Horn

Part Number	Minimum Failing Load (kN)	Ball Size (mm)	Bolt Size (mm)
BCAH-070-1	70	16	M16



## TSTA

### Twisted Socket Tongue for Arcing Horn

Part Number	Minimum Failing Load (kN)	Ball Size (mm)	Security Clip Type
TSTA-120-1	120	16	R

# Hardware & Fittings



## TST

### Twisted Socket Tongue

Part Number	Rating a(kN)	Tongue Size (mm)	Security Clip Type
TST-070-1	70	16	R
TST-070-3	70	16	W
TST-120-1	120	16	R
TST-120-3	120	16	W
TST-160-3	160	20	W
TST-160-ACS	160	20	R
TST-210-ACS	210	20	R



## AH

### Arcing Horn

Arcing horns are a cost effective device for protecting valuable line equipment by allowing short circuit currents to pass across an air gap. Please advise PLP of line specifics at time of order for a recommendation on suitable products.

Part Number
AH***



## S

### Shackles - Galvanised Forged Steel

Part Number (Shackle)	Tension Rating (kN)	Bolt Size (mm)	Standard Pack Quantity
S-070-1	70	M16	25
S-120-1	120	M16	25
S-160-1	160	M20	15
S-210-1	210	M20	15



Part Number (Twisted)	Tension Rating (kN)	Bolt Size (mm)
TS-070-1	70	M16

# Hardware & Fittings



## DS D - Shackles

D - Shackles are used to suspend PLP aluminium sheaves in conjunction with twin grips or tygards.

Part Number (Twisted)	Clevis Opening (mm)
DS-070-8	41±2



## AS Aluminium Sheave - 54mm

Bolt holes to suit M16 and M20 bolts.

Part Number	Bore Diameter (mm)	Standard Pack Quantity	Colour Code
AS-54-17	17	25	Red
AS-54-22	22	25	Green



## THGR Sheave - Machined Steel

Part aNumber	Hole Size (mm)	Sheave Diameter (mm)
THGR-57	21	57
THGR-75	26	75
THGR-75-18	18	75
THGR-80	32	80
THGR-146A-C	50	146
THGR-146B-C	26	146
THGR-150	32	150
THGR-150-25	26	150
THGR-150-36	38	150



## CTH Clevis Thimble - Galvanised Cast Iron

- Features:**
- MFL 70kN
  - Used for small GZ or copper grips

Part Number	Maximum Grip Size	Thimble Bend Radius (mm)	Standard Pack Quantity
CTH-070-MCI	GFG-083 CFG-100-CL	20	25

# Hardware & Fittings



## GCT

### Clevis Thimble - Galvanised Cast Iron

**Features:**

- Used for medium to large GZ and copper grips

Part Number	Maximum Grip Size	Thimble Bend Radius (mm)	Standard Pack Quantity
GCT-120-TC5F	GFG-163 CFG-260-LT-CL	28.5	25
GCT-120-TC6F		32.5	25



## SC

### Socket Clevis - Galvanised Cast Iron

**Features:**

- Available with 'W' or 'R' clip security pin
- 120kN available in cast steel option. Contact PLP for information

Part Number	Tension Rating (kN)	Socket Size (mm)	Bolt Size (mm)	Standard Pack Quantity
SC-070-1	70	16	M16	25
SC-120-1	120	16	M16	
SC-160-1	160	20	M20	
SC-210-1	210	20	M20	8



## STH

### Socket Thimble - Galvanised Cast Iron

**Features:**

- 'W' clip security pin

Part Number	Tension Rating (kN)	Thimble Bend Radius (mm)	Standard Pack Quantity
STH-070-1	70	20	25



## ST

### Socket Tongue - Galvanised Forged Steel

**Features:**

- Available with 'W' or 'R' clip security pin

Part Number	Tension Rating (kN)	Bolt Size (mm)	Standard Pack Quantity
ST-070-1	70	M16	25
ST-160-1	160	M20	
ST-210-1	210	M20	

# Hardware & Fittings



## SB

### Socket Ball - Galvanised Forged Steel

Part Number	Rating (kN)	Socket Size (mm)	Ball Size (mm)
SB-070-1	70	16	16
SB-120-3	120	16	16
SB-160-4	160	20	20
SB-160/070-4	70	20	16



## TC

### Tongue Clevis - Galvanised Cast Iron

Part Number	Tension Rating (kN)	Bolt Size (mm)	Standard Pack Quantity
TC-070-1	70	M16	25
TC-120-1	120	M16	25



## BC

### Ball Clevis - Galvanised Forged Steel

Part Number	Tension Rating (kN)	Bolt Size (mm)	Ball Size (mm)	Standard Pack Quantity
BC-070-1	70	M16	16	25
BC-120-1	120	M16	16	25
BC-160-3	160	M20	20	15
BC-210-1	210	M20	20	



## CTY

### Y Clevis Tongue - Galvanised Forged Steel

Part Number	Tension Rating (kN)	Bolt Size (mm)	Hole Size (mm)	Standard Pack Quantity
CTY-070-1	70	M16	18	25
CTY-160-120-2	120	M20	22	



# Hardware & Fittings

## LE

### Link Eye - Galvanised Forged Steel



Part Number	Tension Rating (kN)	Standard Pack Quantity
LE-070-1	70	50
LE-120	120	
LE-160-1	160	
LE-210-1	210	
LE-320	320	

## ET

### Eye Tongue - Galvanised Forged Steel



Part Number	Tension Rating (kN)	Bolt Size (mm)	Bolt Size (mm)	Standard Pack Quantity
ET-070-1	70	M16	25	25
ET-070-22	70	M20	25	
ET-120-1	120	M16		
ET-160-1	160	M20		

## TET

### Twisted Eye Tongue - Galvanised Forged Steel



Part Number	Tension Rating (kN)	Bolt Size (mm)	Standard Pack Quantity
TET-070	70	M16	25
TET-120-1	120	M16	
TET-160-1	160	M20	15

## BE

### Ball Eyes - Galvanised Forged Steel



Part Number	Tension Rating (kN)	Ball Size (mm)	Standard Pack Quantity
BE-070-1	70	16	25
BE-120-1	120	16	
BE-160-1	160	20	15
BE-210-8	210	20	

# Hardware & Fittings



## BHL

### Ball Hook Long Shank Galvanised Forged Steel

Part Number	Tension Rating (kN)	Standard Pack Quantity
BHL-070-1	70	25

**Note:** Safety latch available. Substitute -1 for -2.



## BHS

### Ball Hook Short Shank - Galvanised Forged Steel

Part Number	Tension Rating (kN)	Standard Pack Quantity
BHS-070-1	70	25



## TH

### Tongue Hook - Galvanised Forged Steel

Part Number	Tension Rating (kN)	Standard Pack Quantity
TH-070-1	70	25



## THL

### Tongue Hook/Latched - Galvanised Forged Steel

Part Number	Tension Rating (kN)	Standard Pack Quantity
THL-070-1	70	25

# Hardware & Fittings



## BT

### Ball Tongue

Part Number	Tension Rating (kN)	Ball Size (mm)	Hole Size-Tongue (mm)
BT-070-5	70	16	18
BT-160-8	160	20	21.5
BT-210-1	210	20	22
BE-210-8	210	20	



## CW

### Counterweight Assembly

Counterweight assemblies are custom designed for installation on transmission line suspension points. Typical designs are shown below as an illustration of the design and manufacturing capabilities of PLP. Please contact PLP with line specifics at time of order for a recommendation on suitable products.

Part Number
CW***



## GCP

### Guy Crossover Plate

Part Number	Hole Size (mm)
GCP-020-8	20
GCP-022C	22



## ELEE

### Extension Link Eye Eye - Galvanised Forged Steel

Part Number	Rating (kN)	Length (mm)
ELEE-160-450	160	450
ELEE-160-1170-3	16	1170
ELEE-160-1220-3	16	1220

# Hardware & Fittings



## ELBE

### Extension Link Ball Eye - Galvanised Forged Steel

Part Number	Rating (kN)	Length (mm)	Ball Size (mm)
ELBE-160-250-1	160	250	20
ELBE-160-350-1	160	350	20
ELBE-160-500-1	160	500	20
ELBE-160-620-1	160	620	20
ELBE-160-800-1	160	800	20
ELBE-160-1000	160	1000	20
ELBE-160-1100-1	160	1100	20
ELBE-160-1330	160	1330	20
ELBE-160-1620	160	1620	20
ELBE-160-2000	160	2000	20



## ELBC

### Extension Link Ball Clevis - Galvanised Forged Steel

Part Number	Rating (kN)	Length (mm)	Ball Size (mm)	Bolt Size
ELBC160-1	160	250	20	M20



## ELSC

### Extension Link Socket Clevis - Galvanised Steel

Part Number	Rating (kN)	Length (mm)	Socket Size (mm)	Bolt Size	Material
ELSC-160-2	160	310	20	M20	Cast Steel
ELSC-160-4	160	310	20	M20	Forged Steel



## TBCC

### Turnbuckles - Clevis/Clevis - Galvanised Forged Steel

Part Number	Rating (kN)	Bolt Size (mm)	Range (mm)	
			Minimum	Maximum
TBCC-070-1	70	M16	350	480
TBCC-160-1	160	M20	480	600

# Hardware & Fittings



## TBCT

### Turnbuckles - Clevis/Tongue Galvanised Forged Steel

Part Number	Rating (kN)	Bolt Size (mm)	Range (mm)	
			Minimum	Maximum
TBCT-070-1	70	M16	350	480
TBCT-160-1	160	M20	480	600



## TBEC

### Turnbuckles - Eye/Clevis Galvanised Forged Steel

Part Number	Rating (kN)	Bolt Size (mm)	Range (mm)	
			Minimum	Maximum
TBEC-070-1	70	M16	350	480
TBEC-160-1	160	M20	480	600



## TBEE

### Turnbuckles - Eye/Eye Galvanised Forged Steel

Part Number	Rating (kN)	Range (mm)	
		Minimum	Maximum
TBEE-070-1	70	510	650
TBEE-160-1	160	510	650



## GADJ

### Features:

- Made from galvanized steel for use on staywires and anchors.
- Used when loads exceed 140 kN.

Part Number	Tension Rating (kN)	Suites Anchor Rod Ø (mm)	Length Total (mm)	Thread Length (mm)	U-Bolt Ø (mm)
GADJ-144-350	144	M24	320	240	M20
GADJ-308-530	308	M30	530	250	M30
GADJ-320-530	320	M36	530	250	M30

# Hardware & Fittings



## GPSC

### M16 Galvanised Pole Step For Concrete Poles

Part Number	Bolt Size (mm)	Length (mm)	Standard Pack Quantity
GPSC-16180	M16	180	25

## GEBE

### M20 and M24 Elongated Eye Bolt



#### Features:

- This fitting used with the PLP Anchor
- Other lengths available on request

Part Number (M20)	Part Number (M24)	Length (mm)	Threaded Length (mm)
GEBE-20150	GEBE-24150	150	150
GEBE-20200	GEBE-24200	200	150
GEBE-20250	GEBE-24250	250	150
GEBE-20300	GEBE-24300	300	150
GEBE-20350	GEBE-24350	350	150
GEBE-20400	GEBE-24400	400	150
GEBE-20420	GEBE-24420	420	150
GEBE-20450	GEBE-24450	450	150
GEBE-20500	GEBE-24500	500	150
GEBE-20550	GEBE-24550	550	150
GEBE-20600	GEBE-24600	600	150
GEBE-20650	GEBE-24650	650	150
GEBE-20700	GEBE-24700	700	150
GEBE-20750	GEBE-24750	750	150
GEBE-20800	GEBE-24800	800	150
GEBE-202500	GEBE-242500	2500	150

# Hardware & Fittings



## GEBR

### M16 and M20 Round Eye Bolt

Made of galvanised steel for use with either wood or concrete poles.

Part Number	Length (mm)	Threaded Length (mm)
GEBR-16150	150	100
GEBR-16200	200	100
GEBR-16250	250	100
GEBR-16300	300	100
GEBR-16350	350	100
GEBR-16400	400	100
GEBR-16450	450	100
GEBR-16500	500	100
GEBR-20190	190	150
GEBR-20200	200	150
GEBR-20250	250	150
GEBR-20300	300	150
GEBR-20350	350	150
GEBR-20400	400	150
GEBR-20450	450	150
GEBR-20500	500	150
GEBR-20600	600	150

**Note:** Other lengths available on request.



## GEBR

### M20 Round Eye Bolt Special Assembly

Made of galvanised steel for use with either wood or concrete poles.

Part Number	Length (mm)	Threaded Length (mm)
GEBR-20400-SQW	400	100
GEBR-20425-SQW	425	100
GEBR-20450-SQW	450	100
GEBR-20475-SQW	475	100
GEBR-20500-SQW	500	100
GEBR-20525-SQW	525	150
GEBR-20550-SQW	550	150
GEBR-20575-SQW	575	150
GEBR-20600-SQW	600	150
GEBR-20650-SQW	650	150

# Hardware & Fittings



## PSG

### Guy/Stay Guards

PREFORMED™ Stay Guards are for identifying guy or stay wires or other wire and cable installation. They clearly identify stays in residential, industrial and rural situations, safeguarding against accidental collision.

**Features:**

- Smooth - no jagged, sharp edges
- Resilient - bounces back to shape when bumped
- Withstands blows without shattering or cracking, even in sub-zero temperatures
- Lightweight and compact - easy to store or transport
- No corrosion
- Self extinguishing
- Slit type are retro-fittable

Part Number	Internal Diameter (mm)	Length (m)	Standard Pack Quantity
PSG-025-2U	22	2	50
PSG-025-2U-FH	22	2	50
PSG-025-2S-FH	22	2	50
PSG-025-2.5U	22	2.5	50
PSG-025-2.5U-FH	22	2.5	50
PSG-025-2.5S-FH	22	2.5	50
PSG-030-2U	28	2	32
PSG-030-2U-FH	28	2	32
PSG-030-2S-FH	28	2	32
PSG-030-2.5U	28	2.5	32
PSG-030-2.5S	28	2.5	32
PSG-030-2.5U-FH	28	2.5	32
PSG-030-2.5S-FH	28	2.5	32
PSG-036-2U	32	2	25
PSG-036-2U-FH	32	2	25
PSG-036-2S-FH	32	2	25

**Important Note:**

**FH** = Fixing holes

**S** = Slit

**U** = Unslit



# Hardware & Fittings



## SBFDS

### Spiral Bird-Flight™ Diverter - Swan

BIRD-FLIGHT™ Diverter are designed to make overhead lines visible to birds and provide an economic means of reducing Bird-Flight hazards. The fitting is light in weight, offers little wind resistance and is easily and quickly applied by hand or by hot stick. The positive grip on the conductor ensures that the BIRD-FLIGHT™ Diverter remains in the applied position and cannot move along the span under aeolian vibration or other conditions. The diverter section increases the visible profile of the cable or conductor to a degree necessary to ensure safety, but avoids an undesirably bulky outline.

#### Features:

- Increased conductor profile where Bird-Flight paths are present
- Lightweight with no concentrated mass
- Manufactured from high impact, UV resistant, polyvinyl chloride (PVC)

Part Number	Conductor Diameter Range (mm)	Overall Length (mm)
SBFDS445634-#	4.42 - 6.34	675
SBFDS635829-#	6.35 - 8.29	675
SBFDS830117-#	8.30 - 11.74	725
SBFDS118143-#	11.75 - 14.30	725
SBFDS118143-#	14.40 - 19.30	725
SBFDS194235-#	19.40 - 23.50	1150
SBFDS236278-#	23.60 - 27.82	1150
SBFDS279350-#	27.83 - 35.00	1150

# - Substitute either: **W** for White  
**G** for Grey

## SBFD

### Spiral Bird-Flight™ Diverter



Part Number	Conductor Diameter Range (mm)	Overall Length (mm)	Colour Code
SBFD445634-#	4.45 - 6.34	220	Red
SBFD635829-#	6.35 - 8.29	260	Blue
SBFD830117-#	8.30 - 11.74	280	Black
SBFD118143-#	11.75 - 14.30	350	Yellow
SBFD144193-#	14.31 - 19.30	430	Green

# - Substitute either: **W** for White  
**G** for Grey

# Hardware & Fittings



## Cable Stockings

Cable Stockings have many uses in the areas of construction, hauling and pulling. As the type of stocking design varies with each type of cable used, PLP can supply a range of stockings to meet your requirements.

Five designs are available, in sizes to cover a wide range of distribution cables. They are to suit bare overhead, aerial bundled cable and covered conductors. Any special requirements can be met.

**The five designs are made out of:**

1. One open end and one closed single eye
2. Both ends open, but with a double eye at one end of the stocking
3. Flat stocking with double eye
4. Both ends open with no eyes
5. Both ends open with one eye



## CSS - Cable Stockings

### Steel Construction Aluminium & Steel Based Conductors

Part Number	Conductor Diameter Range (mm)	Tension Rating (kN)	Length Total (mm)
CSS-1014	10 - 14mm	5	350
CSS-1419	14 - 19mm	9	400
CSS-1928	19 - 28mm	15	500
CSS-2840	28 - 40mm	24	600
CSS-4055	40 - 55mm	35	800



## CSS - Cable Stockings Steel Construction

### With Thimble Eye Aluminium & Steel Based Conductors

Part Number	Conductor Diameter Range (mm)	Tension Rating (kN)	Length Total (mm)
CSS-1014TH	10 - 14mm	5	350
CSS-1419TH	14 - 19mm	9	400
CSS-1928TH	19 - 28mm	15	500
CSS-2840TH	28 - 40mm	24	600
CSS-4055TH	40 - 55mm	35	800



## CSS - Cable Stockings Heavy Duty Steel Construction

### Aluminium and Steel Based Conductors

Part Number	Conductor Diameter Range (mm)	Tension Rating (kN)	Length Total (mm)
CSS-0407HD	4 - 7mm	5	300
CSS-0611HD	6 - 11mm	8	350
CSS-1014HD	10 - 14mm	15	350
CSS-1419HD	14 - 19mm	20	400
CSS-1928HD	19 - 28mm	37	500
CSS-2840HD	28 - 40mm	54	600
CSS-4055HD	40 - 55mm	62	800

# Hardware & Fittings



## PB

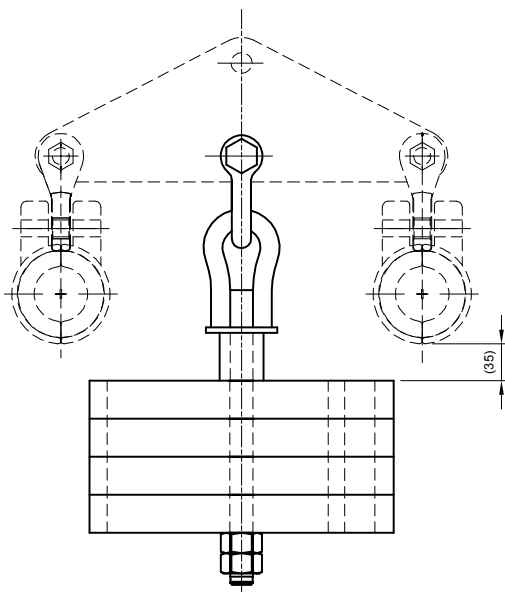
### Pole Band

#### Features:

- Designed for concrete, steel and wood construction poles
- Single take off point standard
- Please contact PLP for further information and suitability

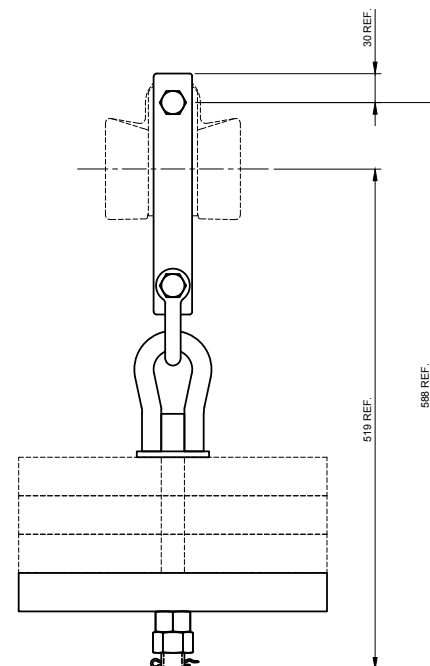
Part Number	Pole Diameter (mm)	Bolt Diameter
PB-200-1WAY	200	M18
PB-230-1WAY	230	M18
PB-260-1WAY	260	M18
PB-290-1WAY	290	M18
PB-320-1WAY	320	M18
PB-350-2	350	M20
PB-425-2	425	M20
PB-450-2	450	M20
PB-500-2	500	M20

### Typical Counterweight



FRONT VIEW

Ref: 050543



SIDE VIEW

Ref: 050545

