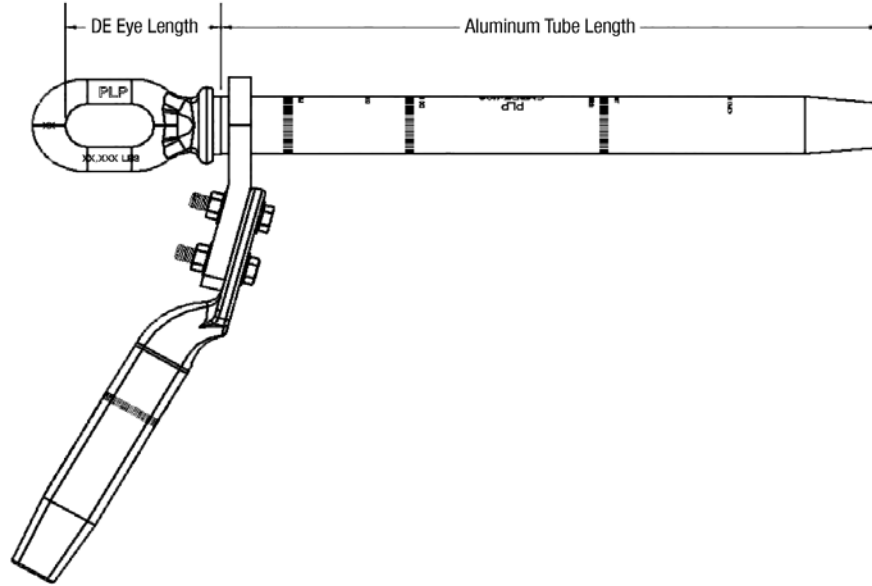




# Two Stage Compression Hardware Series for ACSR Conductors

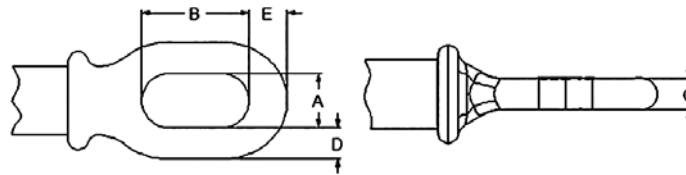
## Compression Dead-end Jumper Assembly – CMPDEJ



| Full DE w/TM<br>Assembly<br>Catalog<br>Number | Conductor Information |               |            |            | Al.<br>Body<br>Part<br>No. | Al.<br>Die<br>Size | Steel<br>Eye<br>Part<br>No. | Steel<br>Die<br>Size | Dimensions                  |                           | Wgt<br>lbs | Pad<br>Cfg. | Pad<br>Class | Dead-end<br>Eye Class |
|---|-----------------------|---------------|------------|------------|----------------------------|--------------------|-----------------------------|----------------------|-----------------------------|---------------------------|------------|-------------|--------------|-----------------------|
|   | Code Word             | Area<br>kcmil | Al/St      | Dia.<br>in |                            |                    |                             |                      | Al.<br>Tube<br>Length<br>in | DE<br>Eye<br>Length<br>in |            |             |              |                       |
| CMPDEJ-1063                                   | Tern                  | 795           | 45/7       | 1.063      | 74125                      | 30AH               | 65595                       | 10SH                 | 21.4                        | 5.2                       | 10.6       | 4           | G            | 1 & 2                 |
| CMPDEJ-1081                                   | Redwing               | 715.5         | 30/19      | 1.081      | 74126                      | 30AH               | 65762                       | 16SH                 | 21.4                        | 5.6                       | 12.2       | 4           | G            | 3                     |
| CMPDEJ-1092                                   | Cuckoo/Condor         | 795           | 24/7,54/7  | 1.092      | 74273                      | 30AH               | 65763                       | 12SH                 | 20.2                        | 5.6                       | 11.3       | 4           | G            | 3                     |
| CMPDEJ-1108                                   | Drake                 | 795           | 26/7       | 1.108      | 64892                      | 30AH               | 65542                       | 14SH                 | 20.2                        | 5.6                       | 11.5       | 4           | G            | 3                     |
| CMPDEJ-1131                                   | Ruddy                 | 900           | 45/7       | 1.131      | 74127                      | 30AH               | 65765                       | 10SH                 | 21.8                        | 5.2                       | 10.8       | 4           | H            | 1 & 2                 |
| CMPDEJ-1140                                   | Skimmer/Mallard       | 795           | 30/7,30/19 | 1.140      | 74128                      | 30AH               | 65766                       | 16SH                 | 21.8                        | 5.6                       | 12.4       | 4           | H            | 3                     |
| CMPDEJ-1162                                   | Canary                | 900           | 54/7       | 1.162      | 74129                      | 30AH               | 65768                       | 14SH                 | 20.6                        | 5.6                       | 11.8       | 4           | H            | 3                     |
| CMPDEJ-1165                                   | Corncrake/Rail        | 954           | 20/7,45/7  | 1.165      | 74130                      | 30AH               | 65769                       | 10SH                 | 20.6                        | 5.6                       | 11.5       | 4           | H            | 3                     |
| CMPDEJ-1196                                   | Redbird/Cardinal      | 954           | 24/7,54/7  | 1.196      | 74131                      | 30AH               | 65770                       | 14SH                 | 20.8                        | 5.6                       | 11.9       | 4           | H            | 3                     |
| CMPDEJ-1203                                   | Snowbird              | 1033.5        | 42/7       | 1.203      | 74132                      | 30AH               | 65771                       | 10SH                 | 20.8                        | 5.6                       | 11.6       | 4           | H            | 3                     |
| CMPDEJ-1212                                   | Ortolan               | 1033.5        | 45/7       | 1.212      | 74133                      | 34AH               | 65703                       | 10SH                 | 20.9                        | 5.6                       | 14.2       | 4           | J            | 3                     |
| CMPDEJ-1245                                   | Curlew                | 1033.5        | 54/7       | 1.245      | 74134                      | 34AH               | 65772                       | 14SH                 | 22.5                        | 5.6                       | 14.9       | 4           | J            | 3                     |
| CMPDEJ-1248                                   | Canvasback            | 954           | 30/19      | 1.248      | 74135                      | 34AH               | 65773                       | 18SH                 | 22.5                        | 5.7                       | 16.4       | 4           | J            | 4                     |
| CMPDEJ-1259                                   | Bluejay               | 1113          | 45/7       | 1.259      | 74136                      | 34AH               | 65695                       | 12SH                 | 22.5                        | 5.6                       | 14.8       | 4           | J            | 3                     |
| CMPDEJ-1293                                   | Finch                 | 1113          | 54/19      | 1.293      | 74137                      | 34AH               | 65774                       | 14SH                 | 22.8                        | 5.6                       | 14.9       | 4           | J            | 3                     |
| CMPDEJ-1302                                   | Bunting               | 1192.5        | 45/7       | 1.302      | 74138                      | 34AH               | 65693                       | 12SH                 | 22.8                        | 5.6                       | 14.7       | 4           | J            | 3                     |
| CMPDEJ-1338                                   | Grackle               | 1192.5        | 54/19      | 1.338      | 74139                      | 36AH               | 65775                       | 14SH                 | 23.1                        | 5.7                       | 17.3       | 4           | K            | 4                     |
| CMPDEJ-1345                                   | Bittern               | 1272          | 45/7       | 1.345      | 74140                      | 36AH               | 65687                       | 12SH                 | 23.1                        | 5.6                       | 16.2       | 4           | K            | 3                     |
| CMPDEJ-1504                                   | Lapwing               | 1590          | 45/7       | 1.504      | 74147                      | 40AH               | 65683                       | 12SH                 | 24.3                        | 5.7                       | 19.3       | 4           | M            | 4                     |
| CMPDEJ-1505                                   | Parrot                | 1510          | 54/19      | 1.505      | 74148                      | 40AH               | 65782                       | 16SH                 | 24.3                        | 5.7                       | 19.8       | 4           | M            | 4                     |
| CMPDEJ-1545                                   | Falcon                | 1590          | 54/19      | 1.545      | 74149                      | 40AH               | 65675                       | 18SH                 | 25.5                        | 5.8                       | 21.3       | 4           | N            | 5                     |
| CMPDEJ-1602                                   | Chukar                | 1780          | 84/19      | 1.602      | 74150                      | 42AH               | 65539                       | 14SH                 | 25.5                        | 5.8                       | 23.2       | 4           | P            | 5                     |

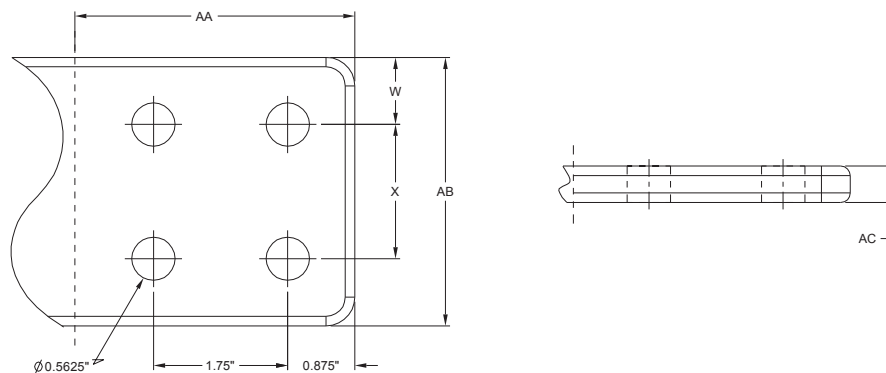
# Steel Eye Dimensions and PAD Dimensions

## Steel Dead-end Eye Classifications and Dimensions



| Forging | A     | B     | C     | D     | E     |
|---------|-------|-------|-------|-------|-------|
| Class 2 | 1.000 | 2.500 | 0.750 | 0.688 | 0.875 |
| Class 3 | 1.375 | 2.750 | 0.813 | 0.813 | 1.000 |
| Class 4 | 1.375 | 2.750 | 1.000 | 1.000 | 1.125 |
| Class 5 | 1.375 | 2.75  | 1.125 | 1.125 | 1.313 |

## PAD Classifications and Dimensions



| Pad     | W     | X    | AA  | AB Jumper | AC Jumper | AB Dead-End | AC Dead-End |
|---------|-------|------|-----|-----------|-----------|-------------|-------------|
| Class F | 0.69  | NA   | 3.5 | 3.13      | 0.41      | 3.13        | 0.688       |
| Class G | 0.875 | 1.75 | 3.5 | 3.5       | 0.475     | 3.5         | 0.688       |
| Class H | 0.813 | 1.75 | 3.5 | 3.375     | 0.475     | 3.375       | 0.688       |
| Class J | 1     | 1.75 | 3.5 | 3.75      | 0.6       | 3.75        | 0.688       |
| Class K | 1.188 | 1.75 | 3.5 | 4.125     | 0.6       | 4.125       | 0.688       |
| Class L | 1.063 | 1.75 | 3.5 | 3.875     | 0.6       | 3.875       | 0.688       |
| Class M | 1.063 | 1.75 | 3.5 | 3.875     | 0.71      | 3.875       | 0.688       |
| Class N | 1.063 | 1.75 | 3.5 | 3.875     | 0.71      | 3.875       | 0.792       |
| Class P | 1.094 | 1.75 | 3.5 | 3.938     | 0.81      | 3.938       | 0.792       |
| Class Q | 1.125 | 1.75 | 3.5 | 4         | 0.81      | 4           | 0.792       |