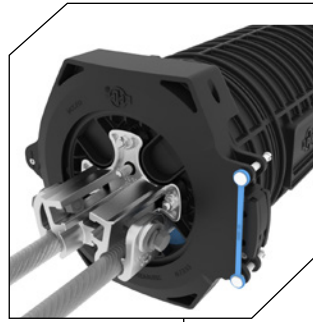




**PREFORMED** LINE PRODUCTS  
The connection you can count on.

## COYOTE® Dome Closure Cable Restraint Bracket (CRB) System for OPGW

The COYOTE Dome Closure now has  
an improved Cable Restraint Bracket (CRB)  
System for OPGW applications.



COMMUNICATIONS



ENERGY

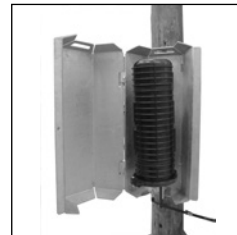
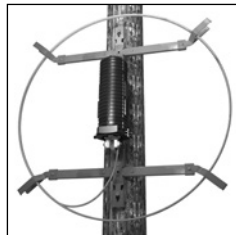


SPECIAL INDUSTRIES



SOLAR

*Fiberlign*



# PLP® Fiber Optic Products

## COYOTE® Dome Closure CRB System for OPGW

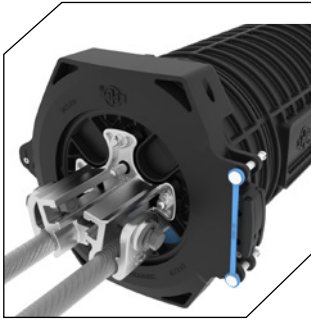
### Description

The new COYOTE Dome Closure with Cable Restraint Bracket System (CRB) for OPGW features a robust modular design that seals, secures, stores, and protects the OPGW cable splice.

The CRB System secures the OPGW cable for superior retention and torque resistance.

The innovative CRB is mounted to the face of the end plate and secures OPGW nominal

diameters from 3/8" through 3/4" for controlled cable entry that helps assure a successful splice installation without damage. The CRB also provides the mounting interface to hang the closure onto the FIBERLIGN® Cable Storage 2 and/or the COYOTE® Defender 2. The system is complimented by the new FIBERLIGN® Cable Storage 2 and COYOTE® Defender 2 for vertical cable storage and ballistic protection.



### COYOTE Dome Closure CRB System for OPGW

#### Key Features:

- Dome Sizes 6.5" x 17" and 6.5" x 22" for capacity up to 144 fibers with standard trays
- Standard Dome kits include all necessary materials for cable prep, fiber routing, mounting, and splicing (1 tray with splice protectors)
- Wide range CRB design eliminates costly cable connectors and simplifies inventory
- CRB provides superior cable retention and torque resistance, along with electrical continuity
- Independent 4 port end plate design allows future cables without disrupting existing cables and splices

### FIBERLIGN® Cable Storage 2 for OPGW

#### Key Features:

- Galvanized steel channel frame provides a durable lightweight design with ridged strength that is easy to install
- Bolt together crossarm packs in a uniform low profile container that reduces shipping cost and is easier to inventory
- Wide cable keepers avoid point loads and provide better cable support

### COYOTE® Defender 2

#### Key Features:

- Robust 7 gauge steel exceeds minimum ballistic resistance requirement of Telcordia GR-771.
- Two Hinged Doors can be separated during installation to keep weight and size manageable and crew safe

### PRODUCT SELECTION:

**1) Determine Dome Closure Cat. No.:** Obtain the OPGW cable specification to determine Cable diameter, buffer tube type (plastic or stainless steel) and fiber count. Use Table 1 to determine your Dome Cat. No.

**2) Determine Number of Splice Trays:** If the fiber count is greater than the single tray supplied with the Dome Kit, order additional trays as required. Find splice tray capacity and catalog number for respective dome kits in the COYOTE Dome Closure CRB System for OPGW – Table 2.

**3) Selection of Accessories and Dome mounting interface:** The CRB for OPGW is supplied with a mounting adapter that fits onto the FIBERLIGN Cable Storage 2, the COYOTE Defender 2, as well as the combination of cable storage and Defender. See Tables 2 and 3.

No additional brackets are necessary except when the Dome is mounted directly to the structure. For Dome direct mount, an additional dome bracket can be purchased to secure the top end of the Dome. See Table 3.

Each mounting scenario can be bolted to a wood pole, banded to a metal pole, or clamped to a lattice tower.

**TABLE 1: SELECTION GUIDE for the COYOTE Dome Closure CRB System for OPGW**

OPGW CABLE APPLICATION		CATALOG NUMBER	DOMESIZE
Buffer Tube Type	Max Single Fusion Fiber	Dome Closure CRB System for OPGW	Inches (mm)
Plastic (P)	48	COYW617P001	6.5" x 17"
	144	COYW622P001	6.5" x 22"
Stainless Steel (S)	48	COYW617S001	6.5" x 17"
	144	COYW622S001	6.5" x 22"

COYOTE Dome Closure CRB for OPGW Catalog Code: COYWxxxzyzz. Where COYW= COYOTE Dome CRB System for OPGW, xxx = Dome Size (Ex. 617 = 6.5" x 17" Dome, y = buffer tube type, "S" Stainless Steel or "P" plastic, zzz = kit number with standard kits 001.

**TABLE 2: COYOTE® Dome Closure CRB System For OPGW Application Guide**

COYOTE Dome CRB System Kit Information <sup>1</sup>					Modular Accessories			
COYOTE Dome Catalog Number	Description	Splice Tray <sup>2</sup>	Transition Furcation Kit	Organizer Type	FIBERLIGN® Cable Storage 2 for OPGW	COYOTE® Defender 2		
<b>Dome Kits for Plastic Buffer Tube Application</b>								
COYW617P001	<b>6.5" x 17" COYOTE® DOME Closure for OPGW with Plastic Buffer Tubes.</b> Kit includes (1) Splice Tray, (1) Organizer for Plastic Buffer Tubes and Cable Restraint Bracket and (1) Mounting Adapter,** (1) OPGW Green Sealant Kit, (6) Grommets.	Standard 12 Count Tray, Cat. No. 80806033, 1 included (fit 4 Max)	N/A	U-Brackets for Plastic (Flexible) Buffer Tube	Cat. No. 80061195 60" (1.5m) Cable Storage Bracket Cat. No. 80061195 60" (1.5m) Cable Storage Bracket (Ordered Separately)	Cat. No. 80061194 Ballistic Protection for 6.5" COYOTE Domes (Ordered Separately)		
COYW622P001	<b>6.5" x 22" COYOTE Dome Closure for OPGW with Plastic Buffer Tubes.</b> Kit includes (1) Splice Tray, (1) Organizer for Plastic Buffer Tubes and Cable Restraint Bracket and (1) Mounting Adapter,** (1) OPGW Green Sealant Kit	Standard 36 Count Tray, Cat. No. 80805514, 1 included (fit 4 Max)	N/A	U-Brackets for Plastic (Flexible) Buffer Tube				
<b>Dome Kits for Stainless Steel Buffer Tube Application</b>								
COYW617S001	<b>6.5" x 17" COYOTE® DOME Closure for OPGW with Stainless Steel Buffer tubes.</b> Kit includes (1) Splice Tray, (1) Organizer for SS buffer tubes and Cable Restraint Bracket (CRB), (1) Mounting Adapter**, (1) OPGW Green Sealant Kit and (6) Grommets, and Furcation Kits	Standard 12 Count Tray, Cat. No. 80806033, 1 included (fit 4 Max)	included	Transition Compartment for Stainless Steel (Rigid) Buffer Tube				
COYW622S001	<b>6.5" x 22" COYOTE® DOME Closure for OPGW with Stainless Steel Buffer tubes.</b> Kit includes (1) Splice Tray, (1) Organizer for SS buffer tubes and Cable Restraint Bracket (CRB), (1) Mounting Adapter**, (1) OPGW Green Sealant Kit and (6) Grommets, and Furcation Kits	Standard 36 Count Tray, Cat. No. 80805514, 1 included (fit 4 Max)	included	Transition Compartment for Stainless Steel (Rigid) Buffer Tube				

<sup>1</sup>All standard closures are provided with (2) 8003691 grommets, (2) 8003692 grommets, and (2) small OD grommet kits for OPGW cable diameters, .30" - .75" (8 mm - 19 mm). Catalog Code COYWxxxxzzz, COYW = COYOTE® Dome for OPGW, x = Closure size, y = buffer tube type (P or S) and z = kit no.(standard = 001). Optional grommets found in the grommet selection guide can expand the number of cable entries per port and accommodate various sizes.

<sup>2</sup>Along with one tray, all closure kits include OPGW Sealant Kit #80812321 and Heat Shrink Splice Protectors to match tray count.

**TABLE 3: Accessories Selection**

**Splice Tray Guide for Standard Dome Kits**

Splice Tray Catalog Number	Splices Per Tray - Description
80806033	Standard Short Splice Tray 12 Count Tray for 6.5" x 17" Dome
80805514	Standard Long Splice Tray 36 Count Tray for 6.5" x 22" Dome
<b>Transition Furcation Kits for Stainless Steel Buffer Tube*</b>	
800011212	Furcation Kit for SS buffer tubes O.D. range .133"-.154"
800011381	Furcation Kit for SS buffer tubes O.D. range .118"-.126"
800011382	Furcation Kit for SS buffer tubes O.D. range .102"-.110"
800011563	Furcation Kit for SS buffer tubes O.D. range .063"-.098"

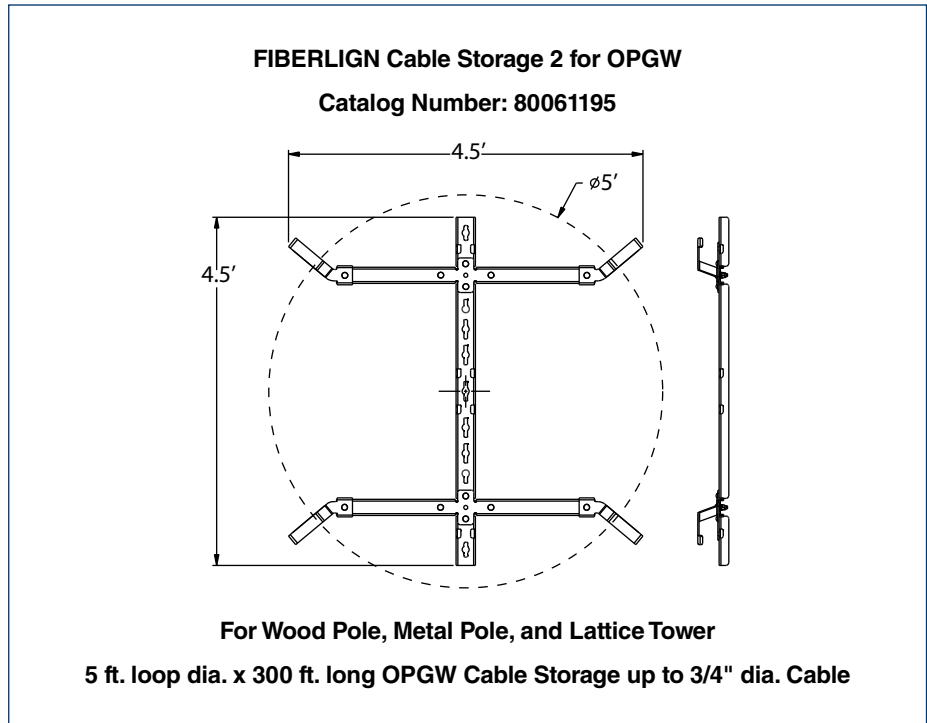
\*COYOTE Dome Kits include a Mounting Adapter that can vertically mount the dome directly to wood poles or band to metal poles. The modular design of the mounting adapter can be mounted to the FIBERLIGN® CABLE Storage 2 and COYOTE Defender 2 as well.

PLP® Fiber Optic Products  
**COYOTE® Dome Closure CRB System for OPGW**

TABLE 3: Accessories Selection (continued)	
Catalog Number	OPGW Cable Prep and Fiber Materials
80812321	CRB System OPGW Green Sealant Kit and Attachment kit, includes long and short strength member brackets
8003509	60 mm Heat Shrink Splice Protectors, 12 pack
8003280	Transition Tube Kit, (protects fiber routed from SS buffer tube to transition tray)
80805293	Transport Tube Kit, (protects fiber routed from transition tray to splice trays)
Cable Storage and Ballistic Protection**	
80061195	FIBERLIGN® CABLE Storage 2 for OPGW, 60" Loop
80061194	COYOTE® Defender 2 for 6.5" Dome applications, Galvanized Steel 7 Gauge
80812335	COYOTE Dome CRB "Direct Mounting Clamp" for 6.5" Dome. Secures top end of Dome
7000400	FIBERLIGN® Lattice Tower Clamp - 2 required for Defender or Direct Mount to Lattice Tower
**COYOTE Dome Kits include a Mounting Adapter that can vertically mount the dome directly to wood poles or band to metal poles. The modular design of the mounting adapter can be mounted to the FIBERLIGN® CABLE Storage 2 and COYOTE Defender 2 as well.	



**COYOTE Defender 2  
 Mounted on Wood Pole**



**PREFORMED  
 LINE PRODUCTS**

World Headquarters  
 660 Beta Drive  
 Cleveland, Ohio 44143

Mailing Address:  
 P.O. Box 91129  
 Cleveland, Ohio 44101

Telephone: 440.461.5200  
 Fax: 440.442.8816  
 Web Site: [www.preformed.com](http://www.preformed.com)  
 E-mail: [inquiries@preformed.com](mailto:inquiries@preformed.com)

© 2015 Preformed Line Products  
 Printed in U.S.A.  
 EN-SS-1136-1  
 05-15-1M