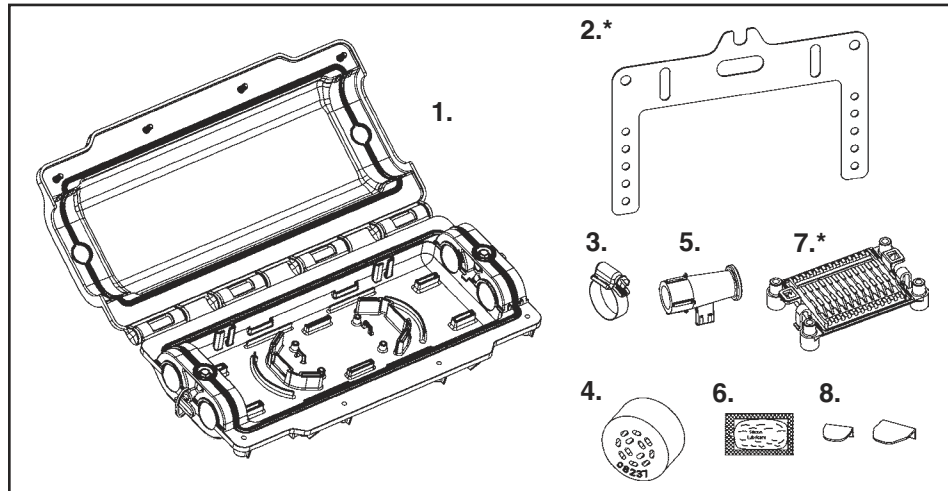




# COYOTE® Aerial Fiber Drop Closure

Be sure to read and completely understand this procedure before applying product. Be sure to select the proper PREFORMED product before application.



### NOMENCLATURE

- 1. Closure Assembly (Includes end plates) (1)
- 2. Aerial Hanger Bracket\* (1)
- 3. Hose Clamp (2)
- 4. Drop Grommet (1)
- 5. Bobbin (1)
- 6. Silicone Lubricant (1 five gram pack)
- 7. Splice Plate\* (1)
- 8. Organizer Clips (12)

\* This component provided pre-assembled to closure.

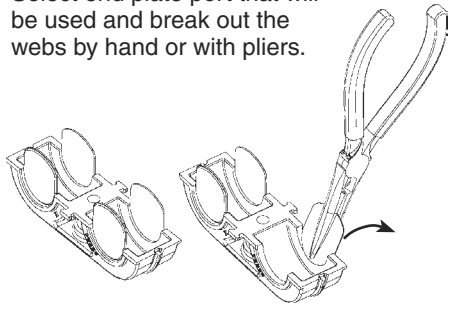
Accessory Kits	
Catalog No	Description
COYDACGK01	12 Hole Grommet Kit, includes (2) hose clamps, (1) bobbin and (1) silicone pack
COYDACSPA01	Splice Plate Assembly Kit, includes (1) splice plate, (1) 12 count splice block
80080156	12 count unprotected fusion splice block kit
COYDACHBK01	Hanger Bracket Kit, includes (1) hanger bracket, (2) closure mounting screws
COYDACCVK01	Replacement Cover Kit, includes (1) cover, (4) cover bolts
COYDACEPK01	End Plate Kit, includes (2) end plates, (2) end plate bolts
COYDACCK01	Organizer Clip Kit, includes (1) set of organizer clips

**Step #1** Open closure assembly by loosening cover fasteners (4).

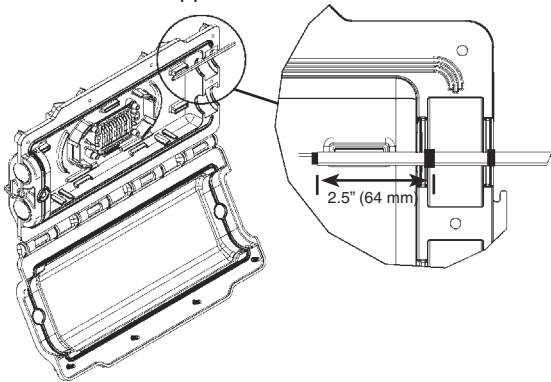
**Step #2** Loosen end plate bolts at the location the cable will enter the closure and remove end plate.

**PLP Tip:** Keep end plate tethered to closure base.

**Step 3** Select end plate port that will be used and break out the webs by hand or with pliers.

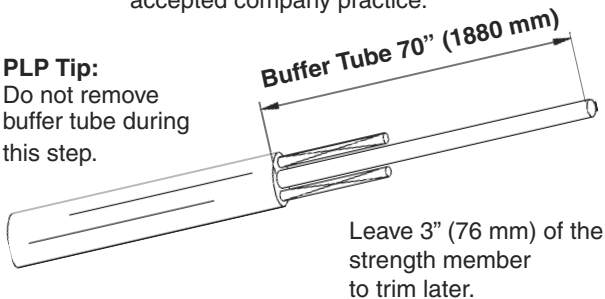


**Step #4** Place the cable over the selected entrance port in the closure base and mark the cable to identify the grommet location and sheath opening location. Mark all cables to be used for the application.



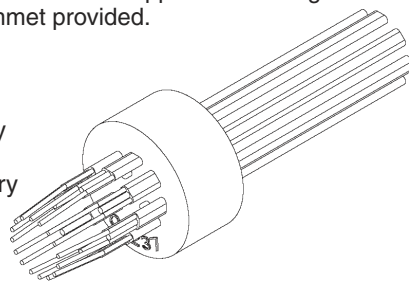
**Step #5** Remove the cable sheath per your accepted company practice.

**PLP Tip:**  
Do not remove buffer tube during this step.



**Step #6** Insert all of the drop cables required in outer row for the application through the grommet provided.

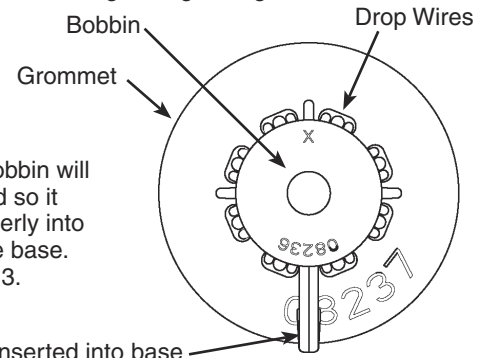
**PLP Tip:**  
Use bottom entry points in grommet when all entry points will not be used.



**Step #7** Insert the bobbin against the inside surface of the grommet, inside the bundle of drops extending through the grommet.

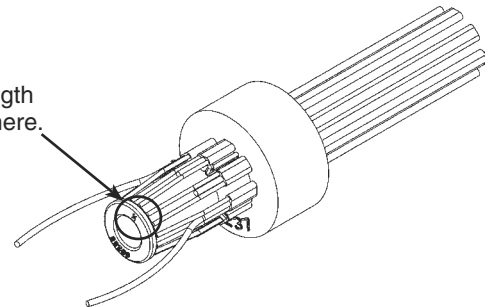
**PLP Tip:**  
Confirm bobbin will be oriented so it will fit properly into the closure base. See step 13.

Leg to be inserted into base

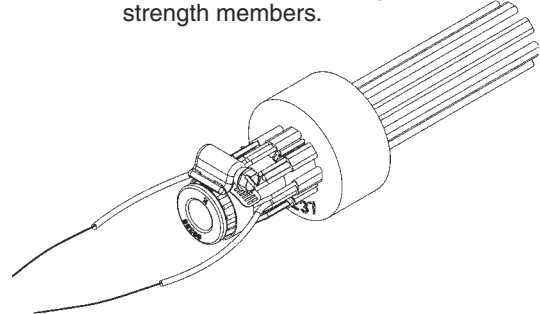


**Step #8** Mark and trim the drop strength member just short of the lip at the end of the bobbin.

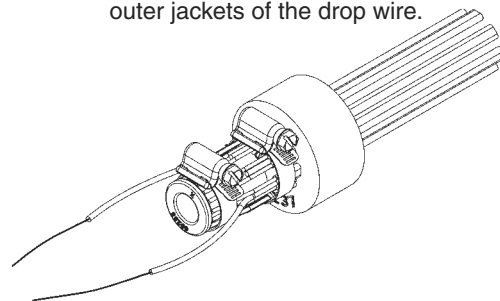
Trim strength member here.



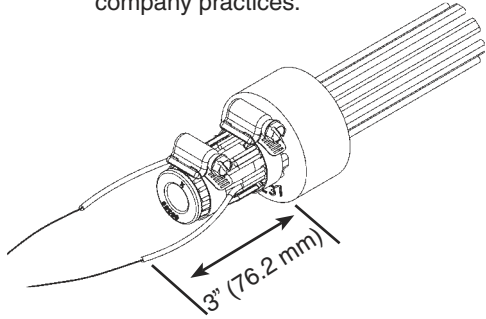
**Step #9** Install the small hose clamp near the end of the bobbin and tighten to restrain strength members.



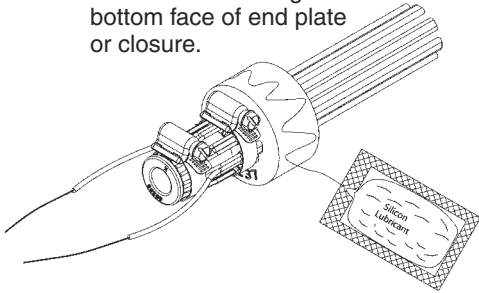
**Step #10** Install the larger hose clamp onto the opposite end of the bobbin to capture the outer jackets of the drop wire.



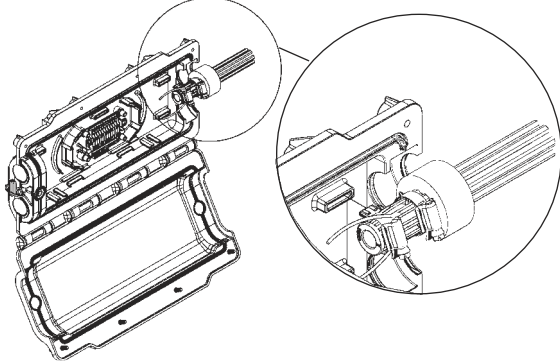
**Step #11** Mark the buffer tube 3 inches (76.2 mm) from the inside surface of the grommet. Remove buffer tube per your accepted company practices.



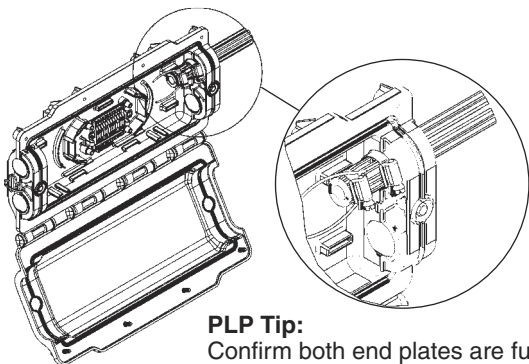
**Step #12** Apply thin layer of the silicone lubricant to outer surface of grommet and onto bottom face of end plate or closure.



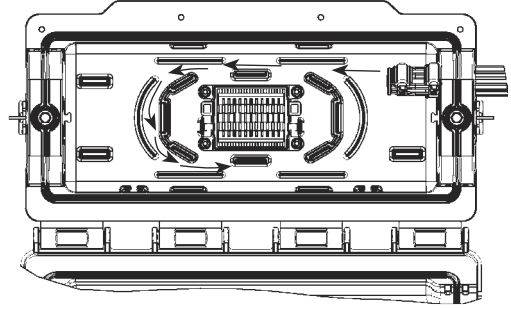
**Step #13** Insert grommet into closure base and insert alignment leg of bobbin into channel in base.



**Step #14** Install end plate over grommet and tighten fastener until end plate is fully seated.

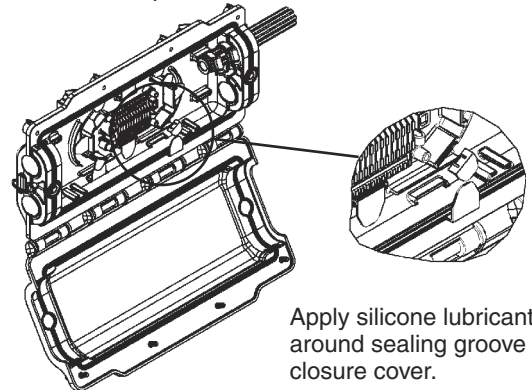


**Step #15** Route fiber within channels provided in closure base.

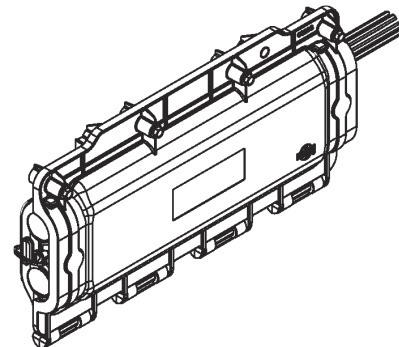


**Step #16** Splice fiber per your accepted company practice.

**Step #17** Install capture tabs into slots in base to help retain fiber.

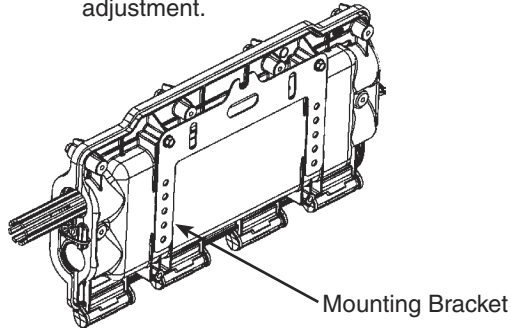


**Step #18** Rotate cover of closure shut and tighten (4) cover fasteners until cover is fully seated onto base.

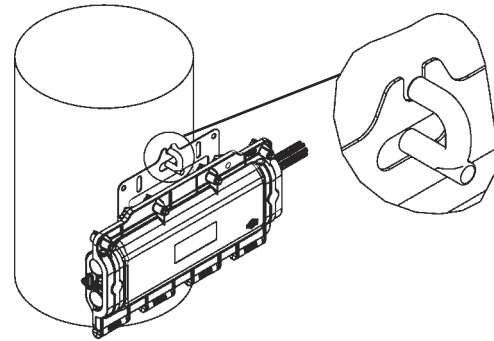


## MOUNTING OPTIONS

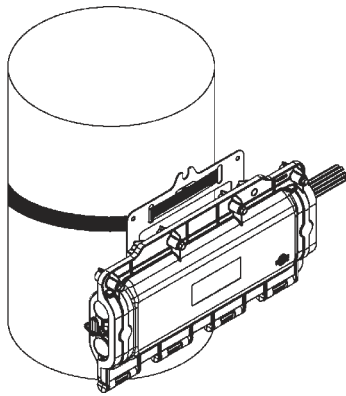
**Step #19** The Aerial Fiber closure includes a mounting bracket which provides options for mounting the closure. Multiple holes are provided in the bracket to allow for height adjustment.



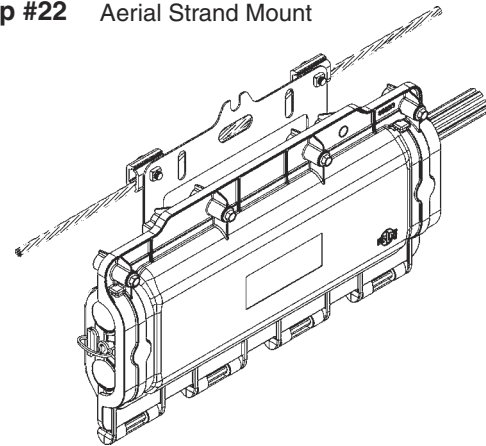
**Step #21** Aerial Pole Mount - J-Hook



**Step #20** Aerial Pole Mount - Strapped



**Step #22** Aerial Strand Mount



## SAFETY CONSIDERATIONS

This application procedure is not intended to supersede any company construction or safety standards. This procedure is offered only to illustrate safe application for the individual. **FAILURE TO FOLLOW THESE PROCEDURES MAY RESULT IN PERSONAL INJURY OR DEATH.**

**Do not modify this product under any circumstances.**

This product is intended for use by trained technicians only. **This product should not be used by anyone who is not familiar with, and not trained to use it.**

When working in the area of energized lines, extra care should be taken to prevent accidental electrical contact.

For proper performance and personal safety, be sure to select the proper size PREFORMED product before application.

PREFORMED products are precision devices. To insure proper performance, they should be stored in cartons under cover and handled carefully.



# PREFORMED LINE PRODUCTS

P.O. Box 91129, Cleveland, Ohio 44101 • 440.461.5200 • [www.preformed.com](http://www.preformed.com) • e-mail: [inquiries@preformed.com](mailto:inquiries@preformed.com)

SP3021