



CUSHION-GRIP® Support

Be sure to read and understand this procedure completely before applying product. Be sure to select the proper size PREFORMED product before application.

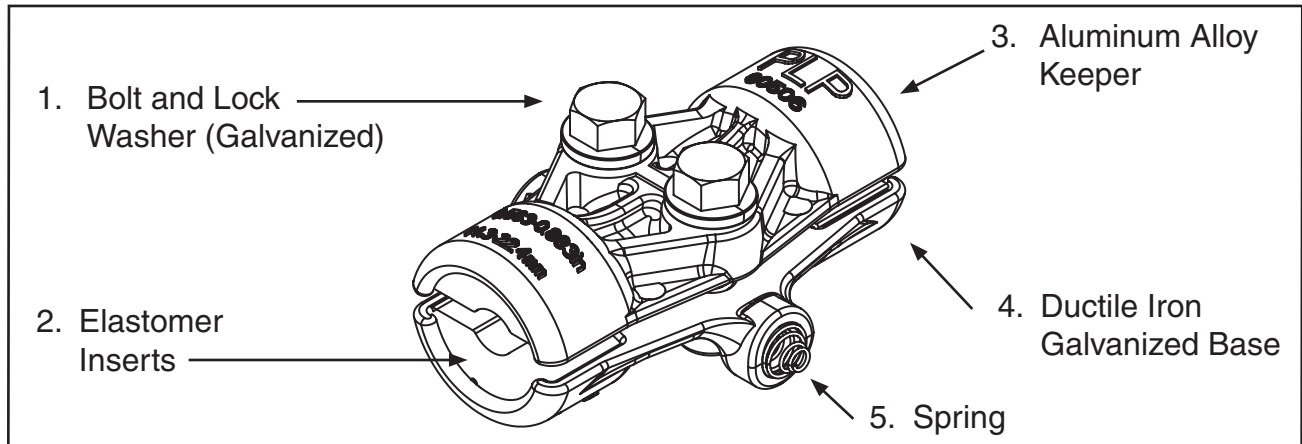


FIGURE 1 - NOMENCLATURE

1.00 NOMENCLATURE

- 1. Bolts and Lock Washers (2 each)
- 2. Elastomer Inserts (4)
- 3. Aluminum Alloy Keeper

- 4. Ductile Iron Galvanized Base
- 5. Stainless Steel Spring

2.00 APPLICATION

2.01 Remove keeper. Note the bolts remain captive in the keeper.

2.03 Lay conductor in the groove of the clamp base. (Figure 3)

2.02 Install base into clamp top trunnion cap of the post insulator and tighten the trunnion cap bolt capturing the CUSHION-GRIP support base. Be careful not to lose the spring. (Figure 2)

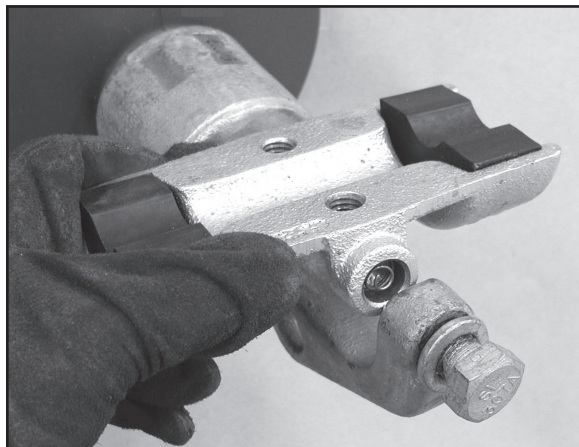


FIGURE 2 - INSTALL BASE

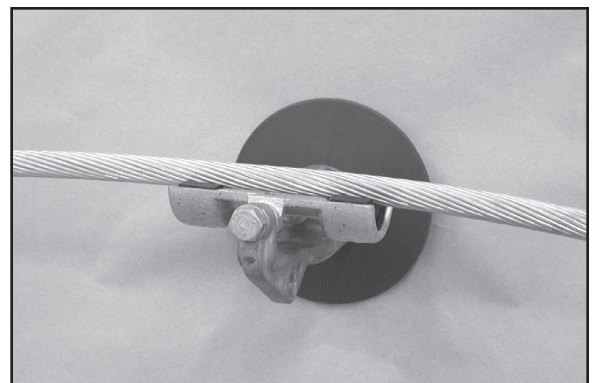


FIGURE 3 - INSERT CONDUCTOR

PLP Tip: For extremely corrosive coastal environments, the application of a liberal amount of a conductive oxide inhibitor to the conductor within the CUSHION-GRIP Support will minimize the possibility of corrosive contaminant build-up.

2.04 Re-install the CUSHION-GRIP support keeper to capture the conductor. Evenly tighten the two bolts of the keeper to the specified torque value. (Figure 4 & 5)

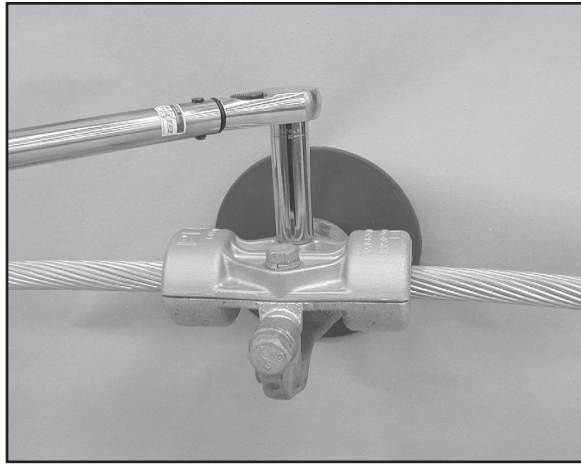


FIGURE 4 - TIGHTEN BOLTS EVENLY

2.05 Completed application of the CUSHION-GRIP Support. (Figure 6)

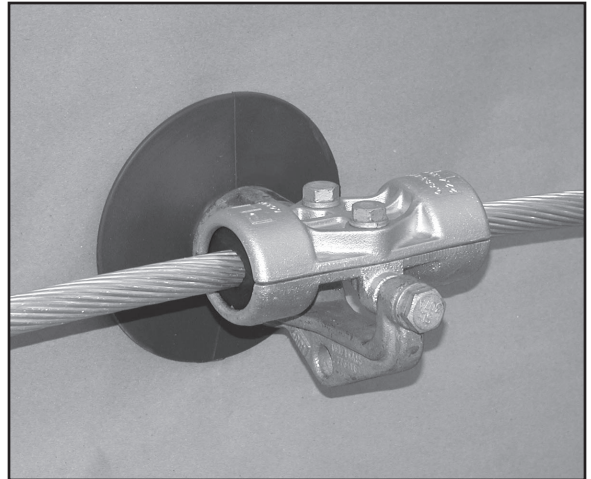


FIGURE 6 - COMPLETED INSTALLATION OF CUSHION-GRIP SUPPORT

Clamp Range (mm)	Bolt Torque
0.325" - 0.563" (9.53 - 14.30)	25 Ft Lbs (34 Nm)
0.564" - 0.883" (14.30 - 22.42)	40 Ft Lbs (54 Nm)
0.884" - 1.196" (22.42 - 30.38)	40 Ft Lbs (54 Nm)
1.197" - 1.504" (30.40 - 38.20)	40 Ft Lbs (54 Nm)

FIGURE 5

SAFETY CONSIDERATIONS

This application procedure is not intended to supersede any company construction or safety standards. This procedure is offered only to illustrate safe application for the individual.
FAILURE TO FOLLOW THESE PROCEDURES MAY RESULT IN PERSONAL INJURY OR DEATH.

This product is intended for a single (one time) use and for the specified application.
Do not reuse or modify this product under any circumstances.

This product is intended for use by trained technicians only. **This product should not be used by anyone who is not familiar with, and not trained to use it.**

When working in the area of energized lines, extra care should be taken to prevent accidental electrical contact.

For proper performance and personal safety, be sure to select the proper size PREFORMED product before application.

PREFORMED products are precision devices. To insure proper performance, they should be stored in cartons under cover and handled carefully.



PREFORMED LINE PRODUCTS

P.O. Box 91129, Cleveland, Ohio 44101 • 440.461.5200 • www.preformed.com • e-mail: Inquiries@preformed.com

SP2986-3