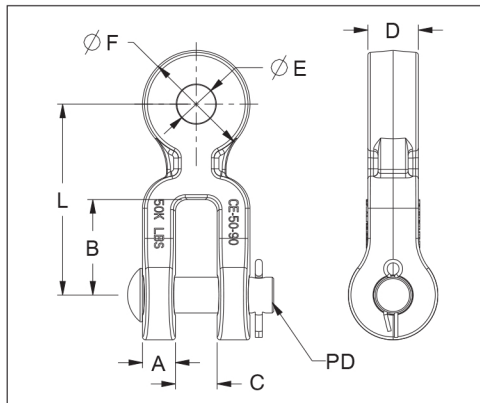
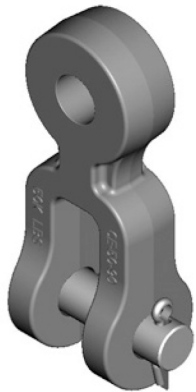


Rotated Clevis Eye



Features

Body	Ductile iron, hot dip galvanized
Hardware	Galvanized Steel
Cotter Pin	Stainless Steel

General Dimensions – inches (mm)

Catalog Number	General Dimensions – inches (mm)								Vertical Ultimate Strength lbf (kN)	Wt. Per 100 Units lbs (kg)
	A	B	C	D	E	F	L	PD		
CE-30-90	1/2 (17.5)	2-1/2 (63.5)	7/8 (22.4)	1-1/16 (26.9)	13/16 (20.6)	2 (50.8)	4-1/2 (114.3)	5/8 (16)	30,000 (133)	201 (91)
CE-50-90	11/16 (17.2)	2 (50.8)	7/8 (22.4)	1-1/16 (26.9)	13/16 (20.6)	2-1/4 (57.2)	4 (101.6)	3/4 (19)	50,000 (222)	290 (131)