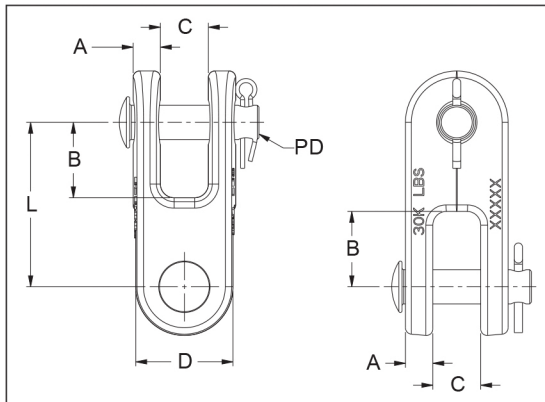
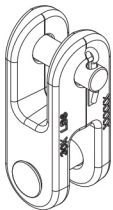
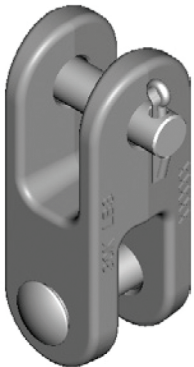


Rotated Clevis Clevis – 30K



Features

Body	Ductile iron/ Forged steel, hot dip galvanized
Hardware	Galvanized Steel
Cotter Pin	Stainless Steel

Catalog Number	General Dimensions – inches (mm)						Vertical Ultimate Strength lbf (kN)	Wt. Per 100 Units lbs (kg)
	A	B	C	D	L	PD		
CC-30-90	1/2 (12.7)	1-3/8 (34.9)	7/8 (22.2)	1-25/32 (45.1)	3 (76.2)	5/8 (16)	30,000 (133)	250 (113)