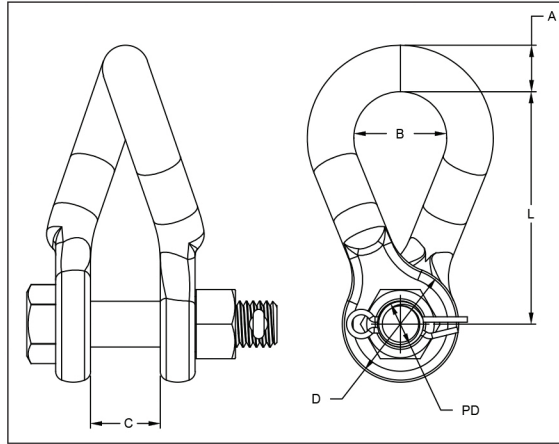


Rotated Anchor Shackle, BNK



Features	
Body	Forged steel, hot dip galvanized
Hardware	Galvanized Steel
Cotter Pin	Stainless Steel

Catalog Number	General Dimensions inches (mm)						Vertical Ultimate Strength lbf (kN)	Wt. Per 100 Units lbs (kg)
	A	B	C	D	L	PD		
AS-25-90BNK	5/8 (16)	1-1/4 (32)	1 (24)	Ø1-5/8 (40)	3-1/8 (80)	Ø5/8 (17)	25,000 (111)	140 (64)