

ARMOR-GRIP® Suspension Unit



General Recommendations

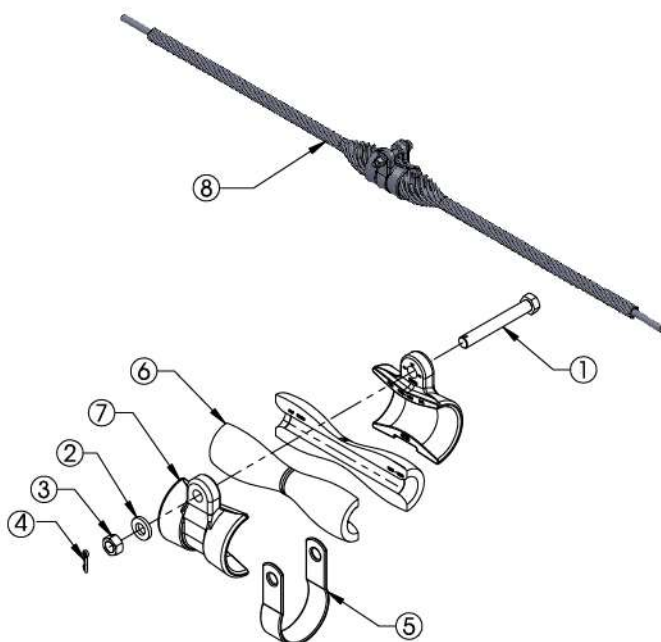
PREFORMED™ ARMOR-GRIP® Suspension Unit is intended for use on all material types and conductor construction. Designed to reduce the static and dynamic stresses at the support point so the conductor is protected against the effects of conductor motion. It also protects the conductor in the support area against impulse and power flash-over arcing.

The PREFORMED™ ARMOR-GRIP® Suspension is superior to armor-clamp combinations for protecting conductors from bending, compression stress and abrasion.

Line Repairs: Where a conductor has been damaged by a bolted clamp. The PREFORMED™ ARMOR-GRIP® Suspension can be used in the repair. All ARMOR-GRIP® Suspensions can be applied over PREFORMED™ type armor rods to restore and extend the life of the conductor.

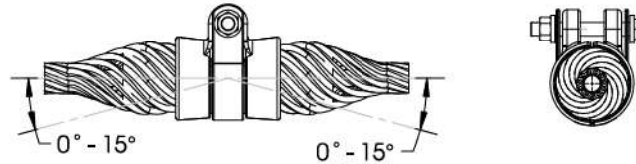
Line Angle: The maximum recommended line angle for a single support AGS is 30°. For angles between 30° and 60°, the ARMOR-GRIP® Suspension Double Assembly is recommended.

Catalogue No.: AGS



ITEM NO.	DESCRIPTION	QTY.
1	Galvanised (Grade 8.8) Steel Bolt	1
2	Galvanised (Grade 8.8) Steel Washer	1
3	Galvanised (Grade 8.8) Steel Nut	1
4	SPLIT PIN	1
5	AGS STRAP	1
6	NEOPRENE INSERT	1
7	Cast Aluminium AGS HOUSING	1
8	AGS RODS	1 Set

ARMOR-GRIP® Suspension Units for Aluminium Based Conductors



CATALOGUE NO. AGS	COND. DIA (mm)	CONDUCTOR NAME	ROD COLOUR CODE	RODS PER SET	ROD DIA. (mm)	ROD LENGTH (mm)
304 - 315	7,728 - 8,00	Weasel	Brown	10	4,06	660
323 - 333	8,20 - 8,46	35 Fox, Ladybird	Blue	11	4,06	660
343 - 355	8,71 - 9,02	Fir, Ferret	Green	11	4,06	660
390 - 404	9,91 - 10,26	Hazel, Rabbit, Fly	Yellow	11	4,06	914
419 - 434	10,64 - 11,02	Pine, Bluebottle, Mink	Red	11	4,06	1040
435 - 450	11,05 - 11,43	Earwig	Blue	11	4,06	1040
475 - 485	12,07 - 12,32	Willow, Raccoon	Green	12	4,06	1040
500 - 512	12,70 - 13,00	Skunk	Orange	10	4,06	1040
549 - 563	13,94 - 14,30	Oak, Hare, Dog	Brown	11	4,62	1115
620 - 645	15,75 - 16,38	Mulberry	Orange	12	4,62	1270
626 - 650	15,90 - 16,51	Tiger, Hornet	Red	11	5,18	1372
674 - 690	17,12 - 17,53	Ash	Yellow	11	5,18	1372
711 - 731	18,06 - 18,57	Wolf	White	12	5,18	1395
732 - 750	18,59 - 19,05	Chicadee, Elm	Red	12	5,18	1425
751 - 768	19,08 - 19,51	Jaguar	Black	10	6,35	1526
769 - 795	19,53 - 20,19	Lynx, Poplar	Green	11	6,35	1526
815 - 826	20,70 - 20,98	Pelican, Panther	Brown	11	6,35	1625
846 - 870	21,49 - 22,10	Flicker, Cockroach	Blue	11	6,35	1625
871 - 893	22,12 - 22,68	Sycamore	Red	12	6,35	1675
921 - 937	23,39 - 23,80	Bear	Orange	12	6,35	1702
938 - 975	23,83 - 24,77	Kingbird, Upas	Green	12	6,35	1702
1022 - 1040	25,96 - 26,42	Goat	Black	11	7,62	2035
1041 - 1074	26,44 - 27,28	Centipede, Tern	Blue	11	7,62	2035
1119 - 1136	28,42 - 28,85	Zebra	Yellow	12	7,62	2035
1176 - 1208	29,87 - 30,68	Scorpion	Green	12	7,62	2035
1395 - 1416	35,43 - 35,97	Dinosaur, Bersford	White	13	9,27	2035
1478 - 1516	37,54 - 38,51	Bull	Red	13	9,27	2235

Please add suffix D or T for split pin requirements. D is for Distribution - humpback split pin. T is for Transmission - straight split pin.

