

COYOTE® Access Solutions™ Pre-Terminated Cabinets



Key Features:

- Ready for splicing right out of the carton
- Cabinets are made from rugged 16 gauge steel
- Durable powder-coat finish
- Available in two colors - Almond or Black
- Accepts craft-friendly COYOTE splice trays
- Integral fiber storage
- High-density splicing and patching in single cabinet
- Assembled to your exact specifications
- 100% inspected
- Designed to provide substantial labor savings
- UPC or APC fiber polishes
- Color coded pigtails
- Key hole slots for optional wall mounting
- Each cabinet may be ordered with adapter modules or pre-terminated to your exact specification

Wall Mount Cabinets

- Provides protected fiber splicing and connectivity
- Lockable inner door secures the splicing compartment
- Each cabinet may be ordered with adapter modules or pre-terminated to your exact specification
- Installation and mounting hardware included

Rack Mount Cabinets

- Universal mounting bracket to fit 19" (482 mm) or 23" (584 mm) racks
- Clear front door and access panels are removable for easy entry



Pre-terminated WDC8 Wall Mount Cabinet



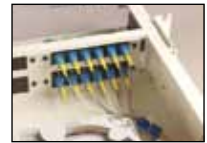
WDC2 Wall Mount Cabinet



Pre-terminated RDC6 Rack Mount Cabinet



RDC2 Rack Mount Cabinet with Pivoting Shelf



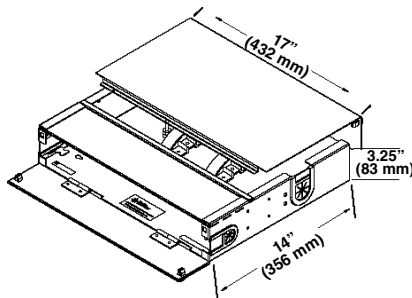
12 SC/UPC Connections



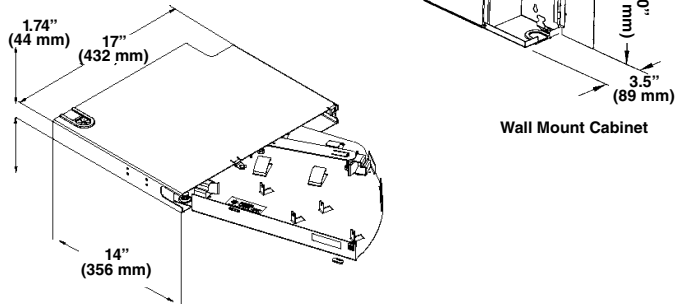
RDC6 Rack Mount Cabinet with Cable Stub



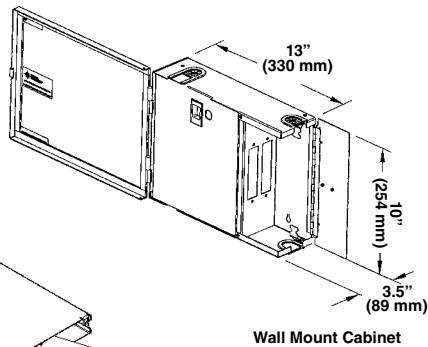
Pigtail Assemblies



Rack Mount Cabinet



RDC2 Rack Mount Cabinet with Pivoting Shelf



Wall Mount Cabinet

Wall Mount Cabinets (Empty)				
Catalog No.	Description	Height (A)	Width (B)	Depth (C)
WDC2_*	Wall Mount Cabinet up to 24 Fiber Connections and Splices**	10" (254 mm)	13" (330 mm)	3.5" (89 mm)
WDC4_*	Wall Mount Cabinet up to 48 Fiber Connections and Splices**	14" (356 mm)	13" (330 mm)	3.5" (89 mm)
WDC8_*	Wall Mount Cabinet up to 96 Fiber Connections and Splices**	17" (432 mm)	13" (330 mm)	5.5" (140 mm)
WDC12_*	Wall Mount Cabinet up to 144 Fiber Connections and Splices**	12" (305 mm)	17" (432 mm)	11" (279 mm)

*Wall Mount Cabinets: **A** for Almond or **B** for Black
 **Maximum connection capacity only achieved with duplex adapters

Rack Mount Cabinets (Empty)					
Catalog No.	Description	Height (A)	Width (B)	Depth (C)	Rack Units
RDC2_*	Rack Mount Cabinet up to 12 Fiber Connections and Splices	3.5" (89 mm)	17" (432 mm)	14" (356 mm)	1
RDC3_*	Rack Mount Cabinet up to 36 Fiber Connections and Splices	3.5" (89 mm)	17" (432 mm)	14" (356 mm)	2
RDC6_*	Rack Mount Cabinet up to 72 Fiber Connections and Splices	3.5" (89 mm)	17" (432 mm)	14" (356 mm)	2
RDC12_*	Rack Mount Cabinet up to 144 Fiber Connections and Splices**	3.5" (89 mm)	17" (432 mm)	14" (356 mm)	3
RDC24_*	Rack Mount Cabinet up to 288 Fiber Connections and Splices**	3.5" (89 mm)	17" (432 mm)	14" (356 mm)	8




*Rack Mount Cabinets: **A** for Almond or **B** for Black
 **Maximum connection capacity only achieved with duplex adapters

AXCESS

- Indoor Use
- Outdoor Use
- Pole/Wall Mount
- Below Grade
- Direct Buried
- Flame Retardant


COYOTE Access Solutions™


COYOTE® Access Solutions™ Pre-Terminated Cabinets


Cabinet Splice Tray Capacities	Wall Mount Cabinet Splice Tray Kit Options				Rack Mount Cabinet Splice Tray Kit Options				
	WDC2	WDC4	WDC8	WDC12	RDC2	RDC3	RDC6	RDC12	RDC24
 12ct Standard 80806033	2 Trays 24 Max. Splice Count	2 Trays 24 Max. Splice Count	N/A	N/A	1 Tray 12 Max. Splice Count	N/A	N/A	N/A	N/A
 36ct Low Profile* 8001127	N/A	N/A	6 Trays 144 Max. Splice Count	9 Trays 216 Max. Splice Count	N/A	3 Trays 72 Max. Splice Count	3 Trays 72 Max. Splice Count	6 Trays 144 Max. Splice Count	12 Trays 288 Max. Splice Count
 36ct Standard* 80805514	N/A	N/A	4 Trays 96 Max. Splice Count	6 Trays 144 Max. Splice Count	N/A	2 Trays 48 Max. Splice Count	2 Trays 48 Max. Splice Count	4 Trays 96 Max. Splice Count	8 Trays 144 Max. Splice Count

*24 Count in Pre-Terminated Cabinets

COYOTE® Passive Optical Components

Adapter Modules		Adapter Type	6 Adapters with Ceramic Sleeves Catalog Number	8 Adapters with Ceramic Sleeves Catalog Number	12 Adapters with Ceramic Sleeves Catalog Number
		SC/UPC	6SMSC	8SMSC	12SMDSC (6 Duplex)
		SC/APC	6SCAPC	8SCAPC	12SMDSCA (6 Duplex)
		ST	6SMST	8SMST	N/A
		LC	6SMLC (3 Duplex)	N/A	12SMLC (6 Duplex)
		LC/APC	N/A	N/A	12SMLCA (6 Duplex)
		FC	6SMFC	8SMFC	N/A
		FC/APC	6FCAPC	N/A	N/A

Fiber Pigtail Cable Assemblies		Bundled 900 Micron Fibers in Yellow Sleeve		6 Fiber Pigtail Cable Assemblies		12 Fiber Pigtail Cable Assemblies		
		Factory Polishes			Connector Type	Catalog Number	Connector Type	Catalog Number
		Connector	Return Loss	Insertion Loss	SC/UPC	P6SCU3*	SC/UPC	P12SCU3*
		UPC	-55 dB min	.02 typ 0.3 max	SC/APC	P6SCA3*	SC/APC	P12SCA3*
		APC	-65 dB min	0.3 max	ST	P6ST3*	ST	P12ST3*
					LC	P6LC3*	LC	P12LC3*
					FC	P6FC3*	FC	P12FC3*
		*Cable length in meters						

Jumper Cable Assemblies		3 mm Jacketed	
		Connector Type	Catalog Number
		SC/UPC	JSCU_*
		SC/APC	JSCA_*
		ST	JST_*
		LC	JLC_*
Cable length in meters	FC	JFC_	

ACCESS

- Indoor Use
- Outdoor Use
- Pole/Wall Mount
- Below Grade
- Direct Buried
- Flame Retardant