

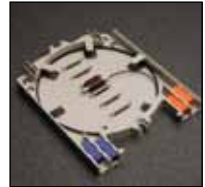
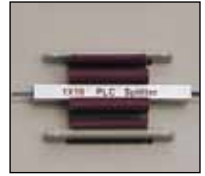
COYOTE® Splitters



The Splitter Modules utilize PLC chips manufactured with Plasma Chemical Vapor Deposition (P-CVD) technology, and its patented fabrication process for providing stable optical specifications. The Modules' silica on silica waveguide and optical fiber array are tested to Telcordia GR-1209 and GR-1221. The splitters are designed to have low insertion loss, low polarization dependent loss (PDL), and high port uniformity.

Features

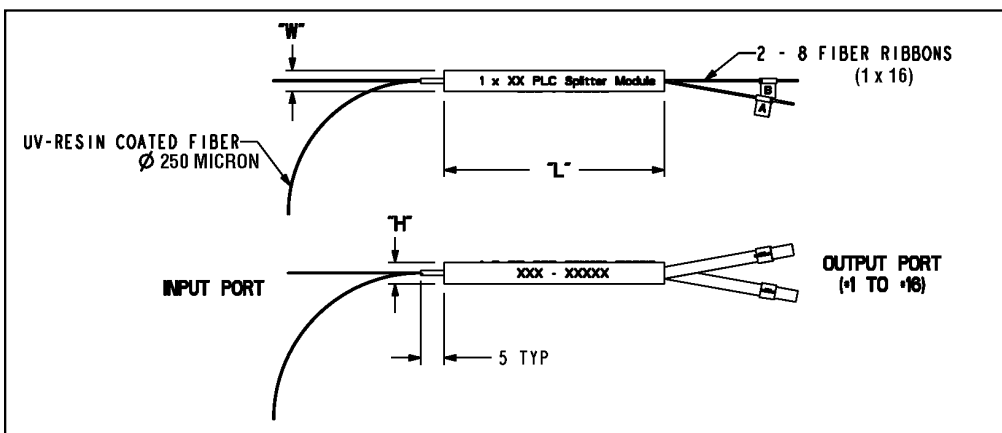
- 1 x 4, 1 x 8, 1 x 16, and 1 x 32
- Telcordia GR-1209 and GR-1221 qualified
- Low Insertion Loss, PDL
- High output uniformity
- Compact package
- Connectorized versions available upon request



Splitter Cat. No.	Splitter Ratio	Use with Splice Tray Kit Part No.
COYSP1x4	1 x 4	80808945, LGSTR144, LGSTS72, LGSTR216, 80808524, 80808525, 80806033, 80805514
COYSP1x8	1 x 8	80808945, LGSTR144, LGSTS72, LGSTR216, 80808524, 80808525, 80806033, 80805514
COYSP1x16	1 x 16	80808945, LGSTR144, LGSTS72, LGSTR216, 80808524, 80808525, 80805514
COYSP1x32	1 x 32	80808945, LGSTR144, LGSTS72, LGSTR216, 80808524, 80808525, 80805514

PLC Splitter Specifications	Units	1 x 4	1 x 8	1 x 16	1 x 32
Operating Wavelength	nm	1260 - 1650	1260 - 1650	1260 - 1650	1260 - 1650
Insertion Loss Max.	dB	7.2 ¹ Max. 8.0 ² Typ. 7.7 ²	10.5 ¹ Max. 11.5 ² Typ. 11.0 ²	13.5 ¹ Max. 14.5 ² Typ. 14.2 ²	16.5 ¹ Max. 17.5 ² Typ. 17.2 ²
Uniformity Max.	dB	0.6 ¹	0.8 ¹	1.2 ¹	1.7 ¹
PDL Max.	dB	0.2 ¹	0.3 ¹	0.3 ¹	0.3 ¹
Return Loss Min.	dB	55.0 ¹	55.0 ¹	55.0 ¹	55.0 ¹
Directivity Min.	dB	55.0	55.0	55.0	55.0
Operating Temperature	°C	-40 to +85	-40 to +85	-40 to +85	-40 to +85
Pigtails	m	1 (Standard) or Custom Length Available (Input/250 Micron, Output/Ribbon fiber)			
Dimensions (L x W x H)	mm	40 x 4 x 4	40 x 4 x 4	40 x 4 x 4	50 x 7 x 4

¹Excluding WDL (Wavelength Dependant Loss) and TD (Temperature Dependant Loss). Measured at room temp. 1310nm and 1550nm. ²Including WDL and TD. 1 x 2 FBT Splitters and 1 x 64 PLC Splitter Modules are available upon request.



Splitters

- DTC
- LCC
- In-Line RUNT
- Terminal
- ONE
- 6.5" Domes
- 9.5" Domes
- GLC
- MPC

Splitters