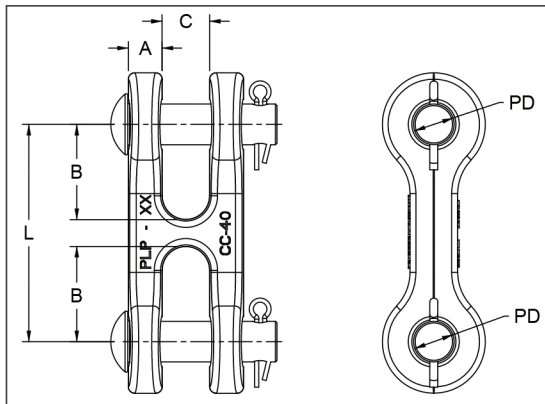


Clevis Clevis – 30K & 40K



Features

Body	Ductile iron, hot dip galvanized
Hardware	Galvanized Steel
Cotter Pin	Stainless Steel

Catalog Number	General Dimensions – inches (mm)					Vertical Ultimate Strength lbf (kN)	Wt. Per 100 Units lbs (kg)
	A	B	C	L	PD		
CC-30	17/32 (13.5)	1-3/4 (44.5)	7/8 (22.2)	4 (101.6)	5/8 (16)	30,000 (133)	210 (95)
CC-40	5/8 (15.9)	1-3/4 (44.5)	7/8 (22.2)	4 (101.6)	5/8 (16)	40,000 (177)	270 (122)